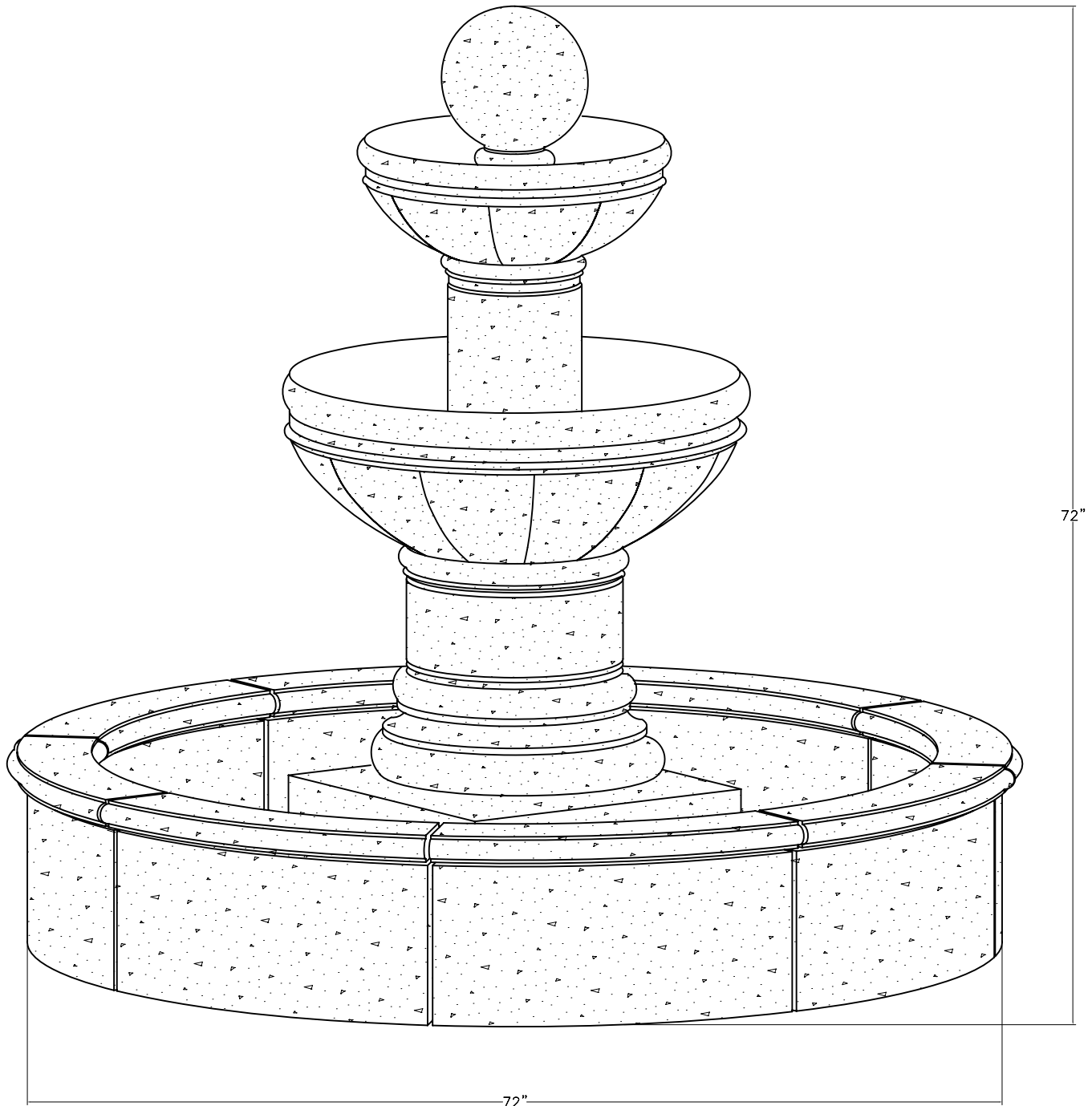


WATER FEATURES

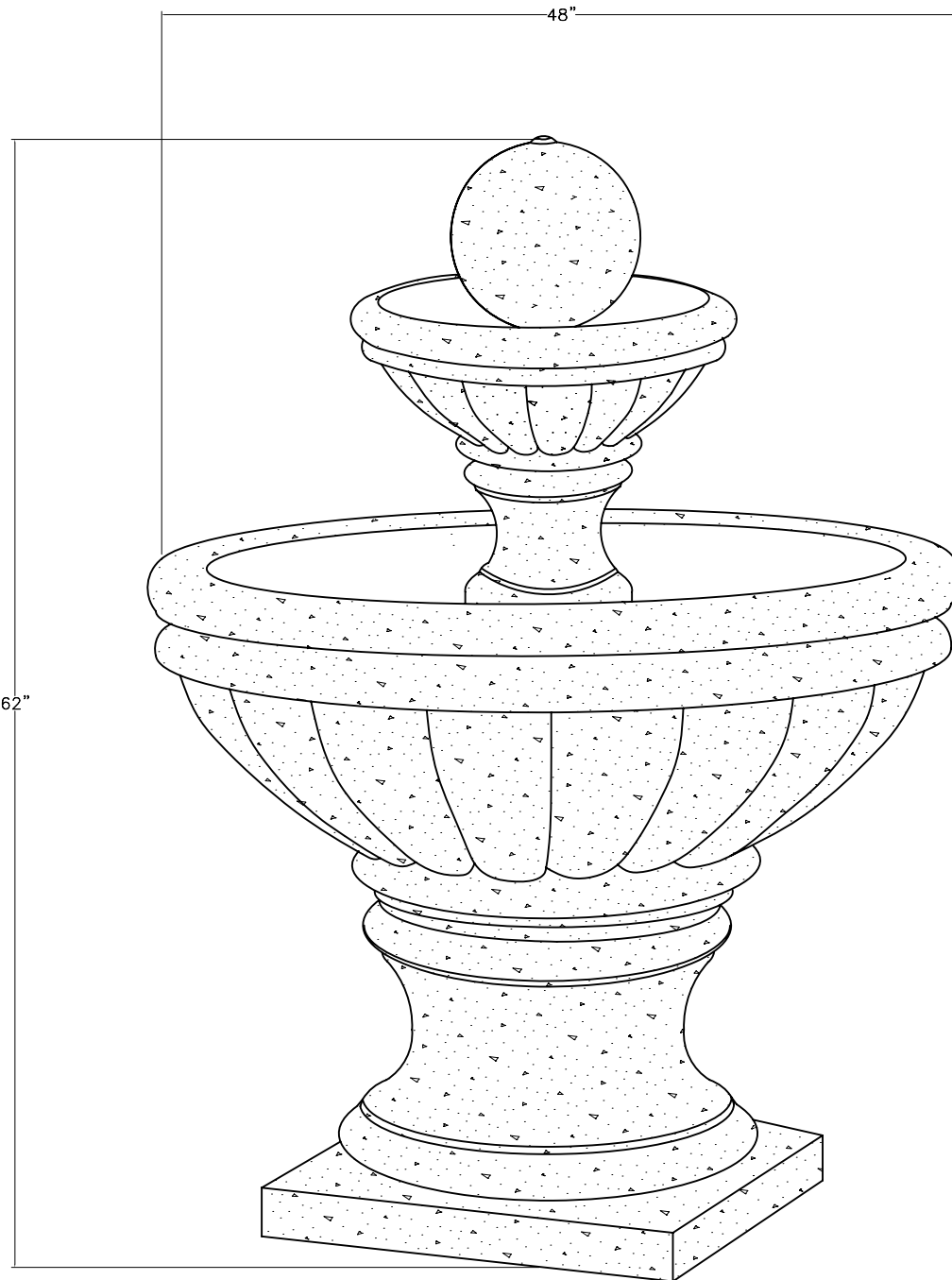
ATHENIAN THREE TIERED FOUNTAIN



FIELD ASSEMBLY REQUIRED

WATER FEATURES

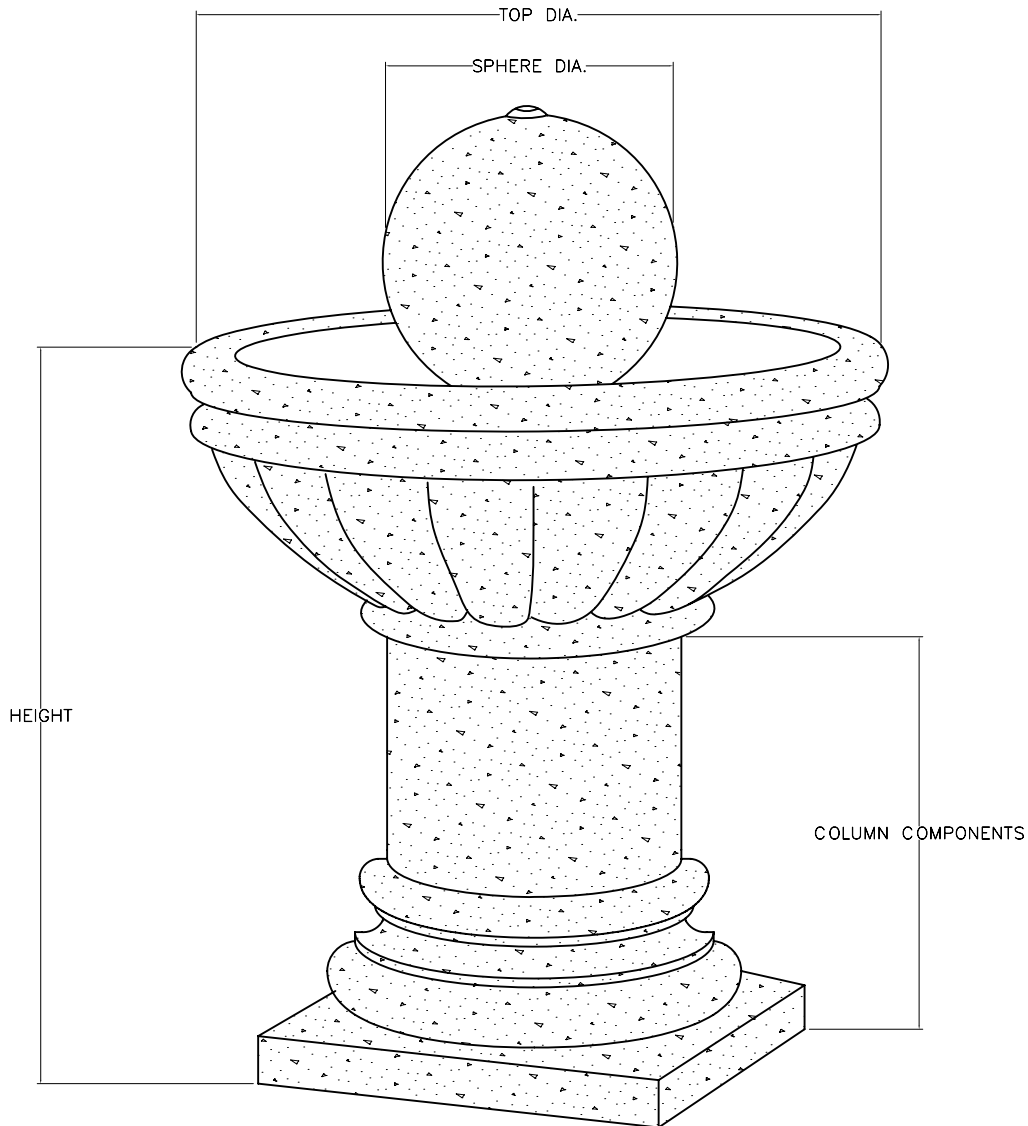
ATHENIAN TWO TIERED FOUNTAIN



FIELD ASSEMBLY REQUIRED

WATER FEATURES

ATHENIAN PEDESTAL FOUNTAIN



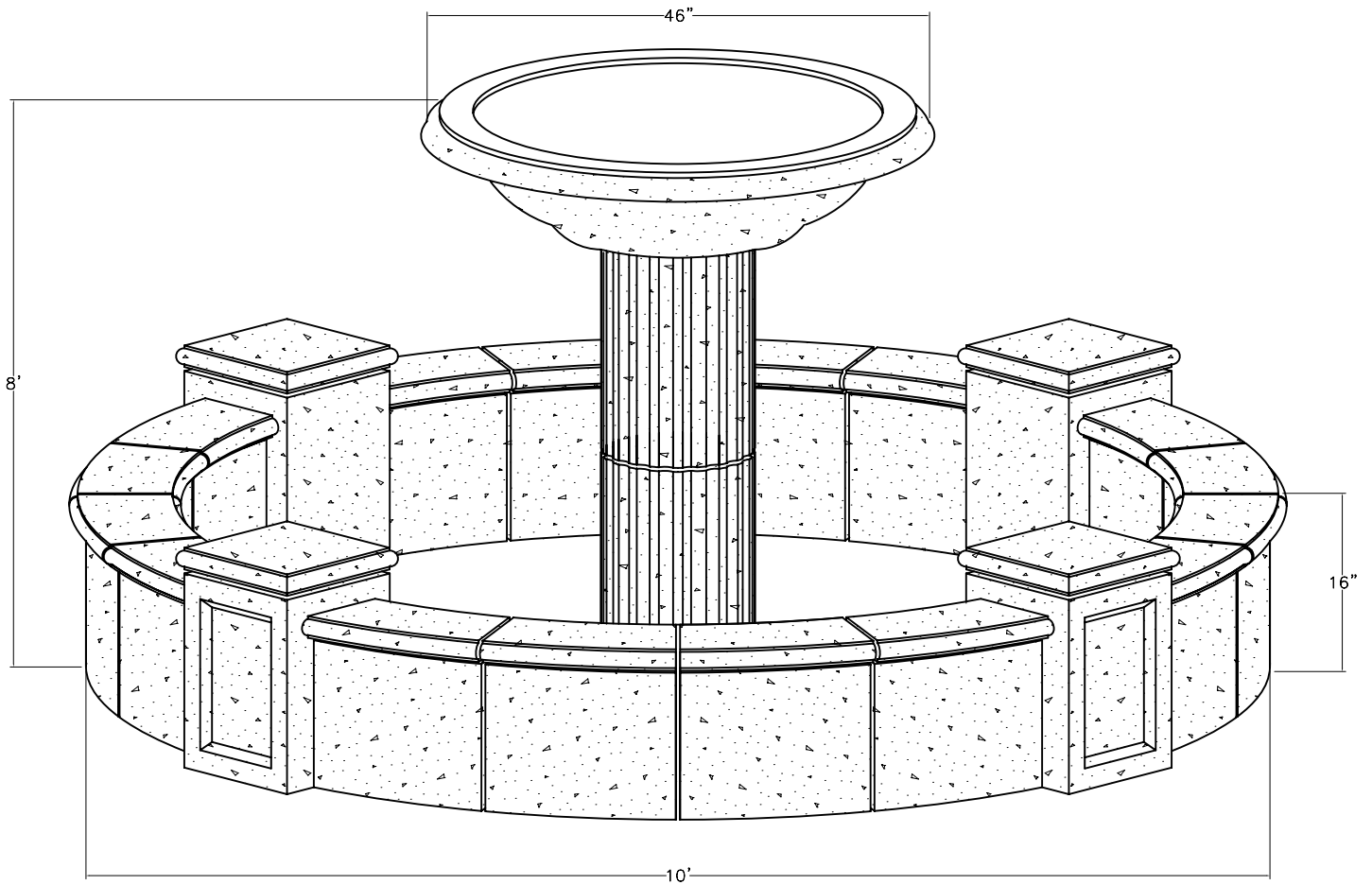
AVAILABLE IN THE FOLLOWING SIZES

<u>TOP DIA.</u>	<u>HEIGHT</u>	<u>SPHERE DIA.</u>	<u>COLUMN COMPONENTS</u>
24"	28"	12"	10" COLUMN
30"	35"	15"	14" COLUMN
36"	40"	18"	16" COLUMN
47"	50"	22"	20" COLUMN

FIELD ASSEMBLY REQUIRED

WATER FEATURES

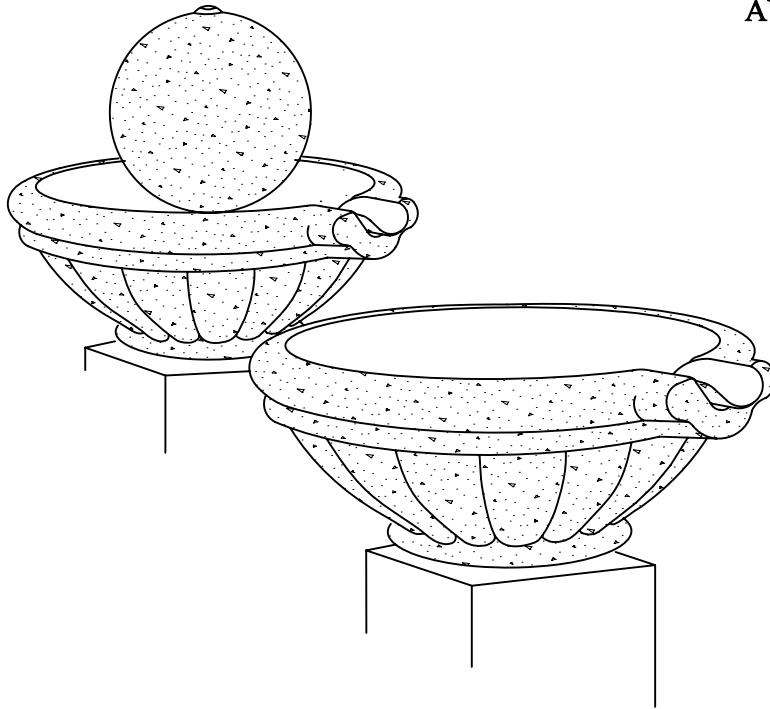
IONIAN FOUNTAIN



FIELD ASSEMBLY REQUIRED

WATER FEATURES

ATHENIAN SCUPPER FOUNTAIN POTS



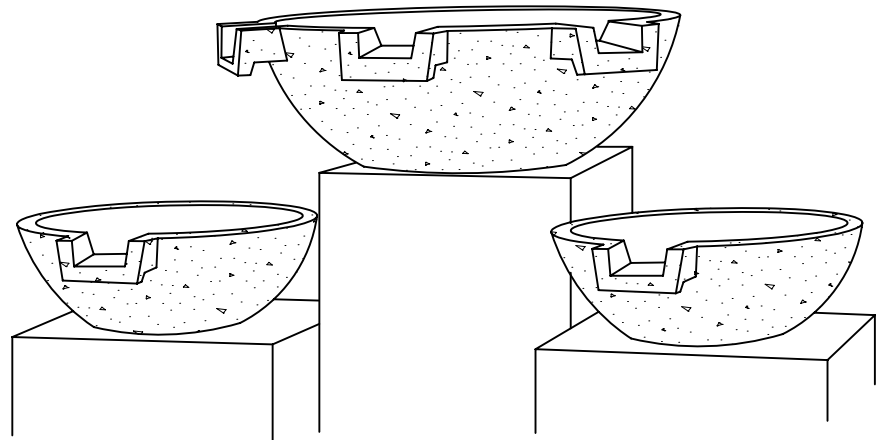
AVAILABLE IN THE FOLLOWING SIZES

<u>TOP DIA.</u>	<u>HEIGHT</u>
24"	10"
30"	13"
36"	15"

AEGEAN SCUPPER FOUNTAIN POTS

AVAILABLE IN THE FOLLOWING SIZES

<u>TOP DIA.</u>	<u>HEIGHT</u>
21"	7"
27"	9"
33"	11"
39"	13"
33"	11" *
39"	13" **

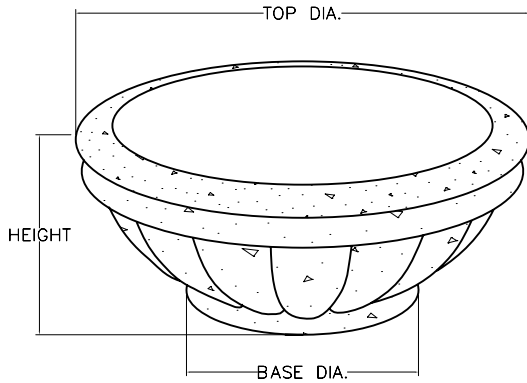


- * DOUBLE SCUPPER
- ** TRIPLE SCUPPER

FIELD ASSEMBLY REQUIRED

PLANTERS

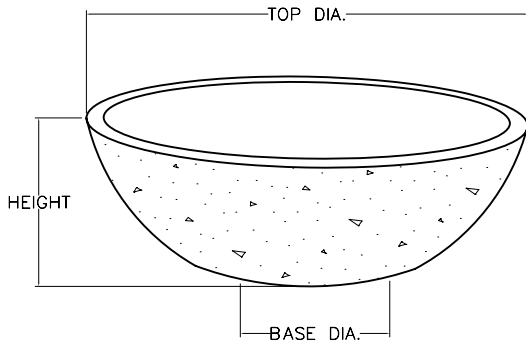
ATHENIAN PLANTERS



AVAILABLE IN THE FOLLOWING SIZES

<u>TOP DIA.</u>	<u>HEIGHT</u>	<u>BASE DIA.</u>
24"	10"	10"
30"	13"	14"
36"	15"	16"
47"	20"	20"

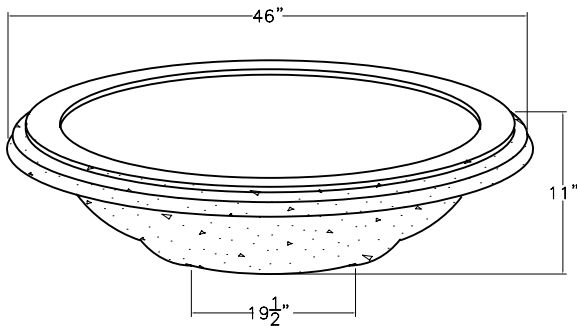
AEGEAN PLANTERS



AVAILABLE IN THE FOLLOWING SIZES

<u>TOP DIA.</u>	<u>HEIGHT</u>	<u>BASE DIA.</u>
21"	7"	10"
27"	9"	13"
33"	11"	16"
39"	13"	19"
48"	16"	24"
60"	20"	30"
76"	20"	24"

IONIAN PLANTER 46"



IONIAN PLANTER 60"

