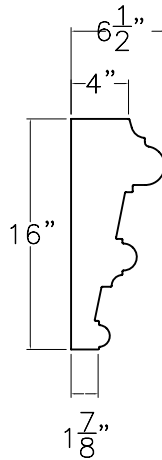
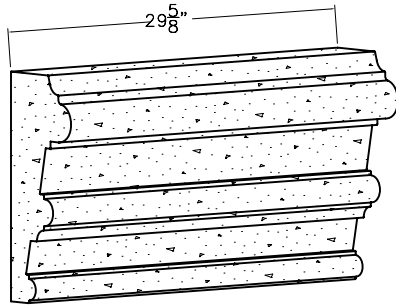


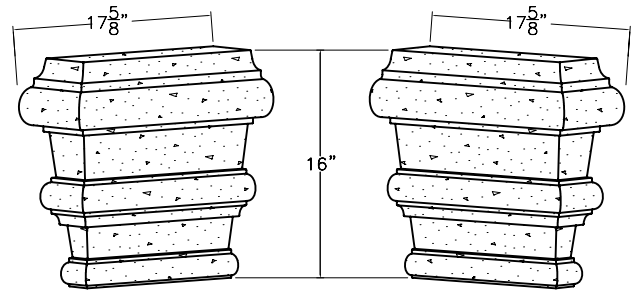
TRIM PROFILES

#T3-A



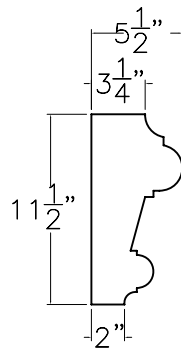
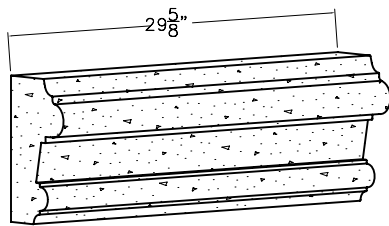
#T3-A-L

#T3-A-R



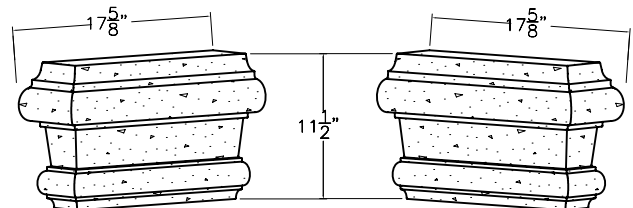
LEFT & RIGHT RETURNS

#T3-B



#T3-B-L

#T3-B-R

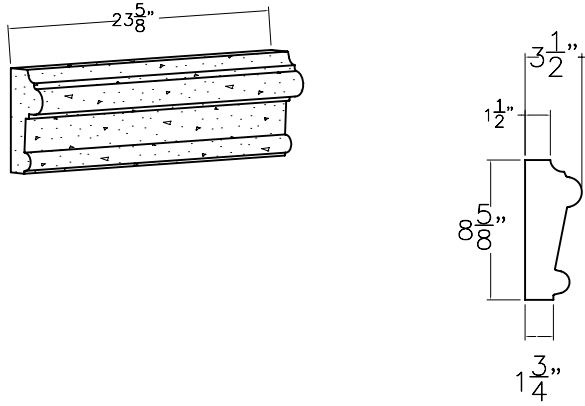


LEFT & RIGHT RETURNS

CUSTOM LENGTHS / CORNERS
AVAILABLE UPON REQUEST

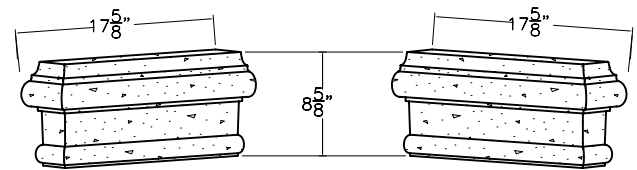
TRIM PROFILES

#T3-C



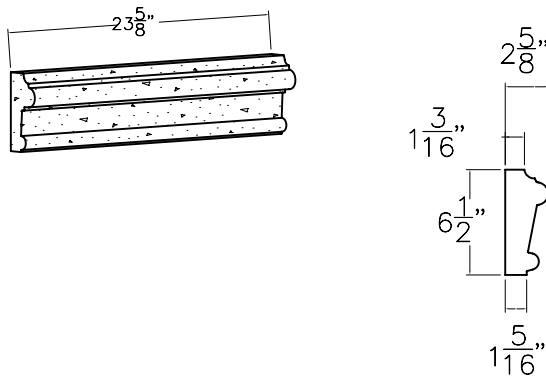
#T3-C-L

#T3-C-R



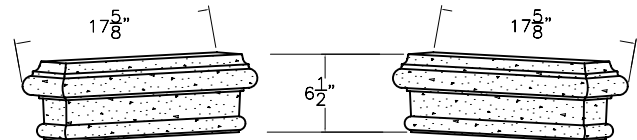
LEFT & RIGHT RETURNS

#T3-D



#T3-D-L

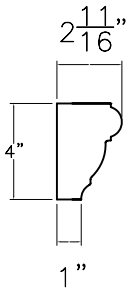
#T3-D-R



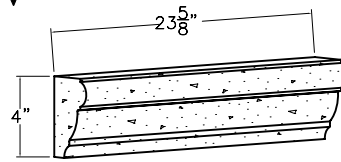
LEFT & RIGHT RETURNS

CUSTOM LENGTHS / CORNERS
AVAILABLE UPON REQUEST

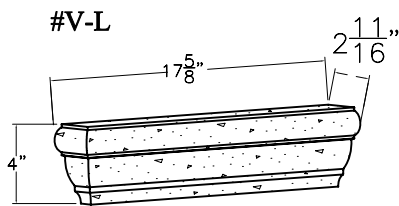
TRIM PROFILES



#V

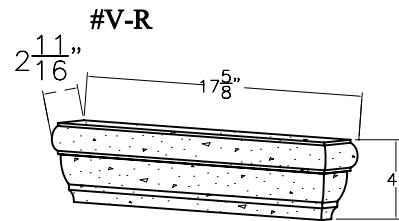


STRETCHER

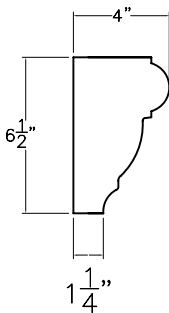


#V-L

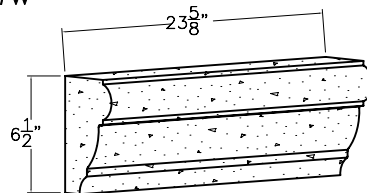
LEFT/RIGHT RETURN



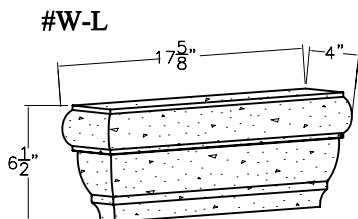
#V-R



#W

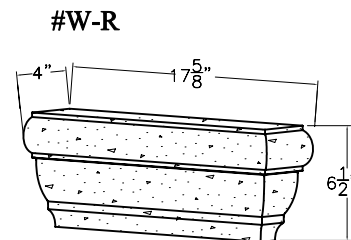


STRETCHER



#W-L

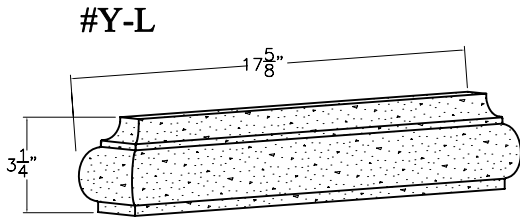
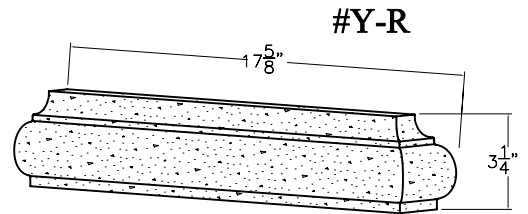
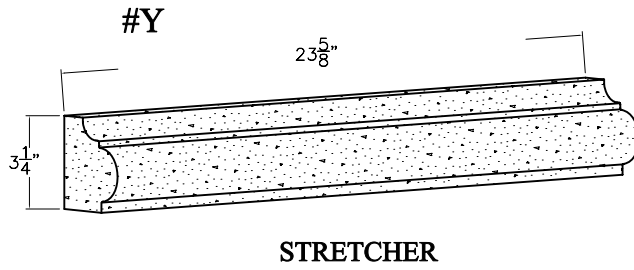
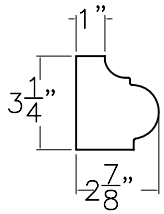
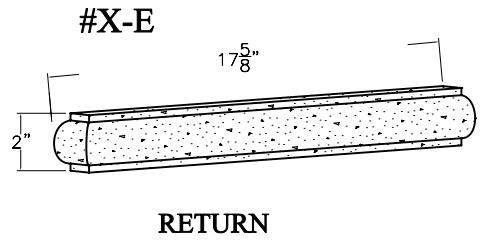
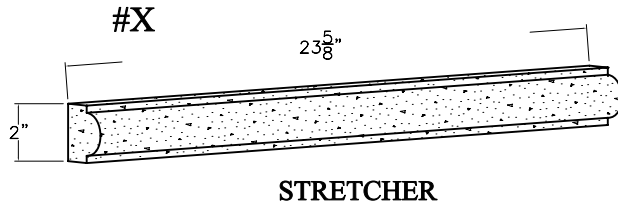
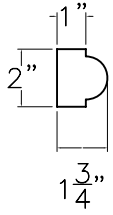
LEFT/RIGHT RETURN



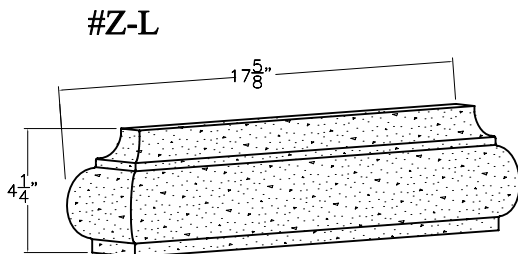
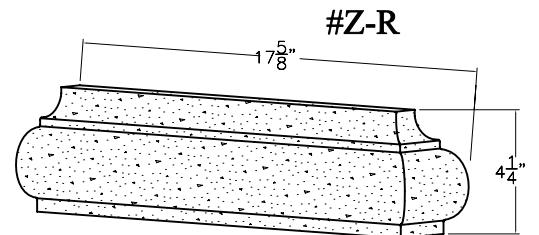
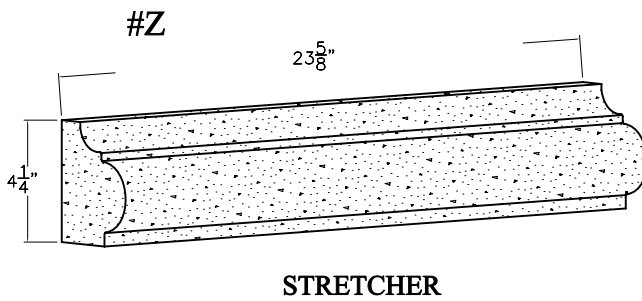
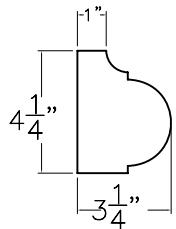
#W-R

**CUSTOM LENGTHS / CORNERS
AVAILABLE UPON REQUEST**

TRIM PROFILES



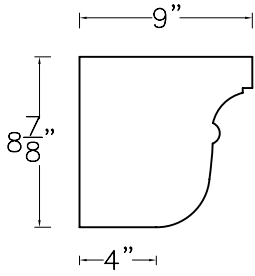
LEFT/RIGHT RETURN



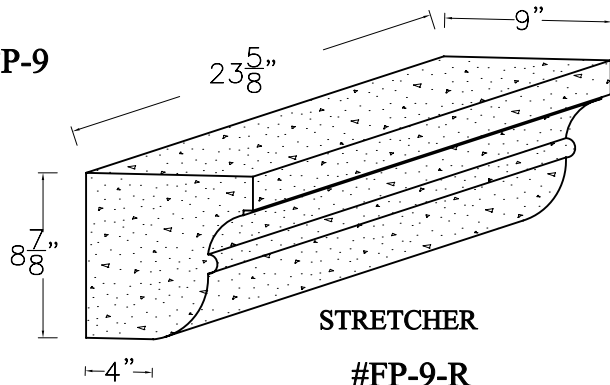
LEFT/RIGHT RETURN

CUSTOM LENGTHS / CORNERS
AVAILABLE UPON REQUEST

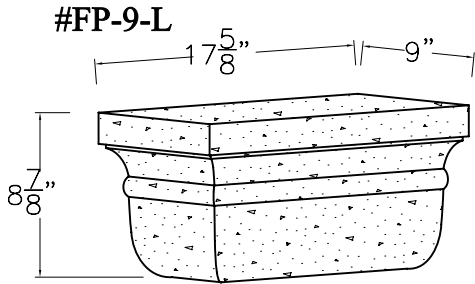
TRIM PROFILES



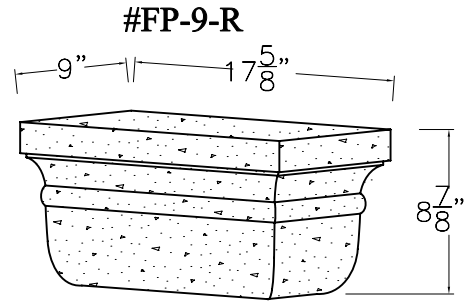
#FP-9



STRETCHER

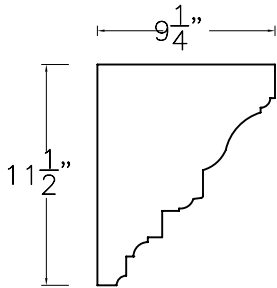


#FP-9-L

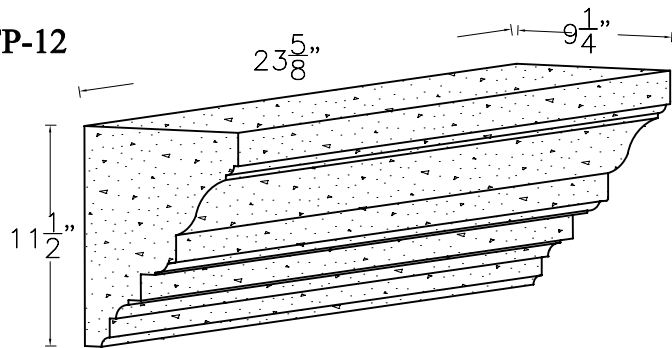


#FP-9-R

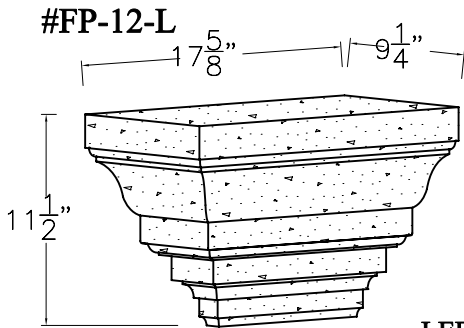
LEFT/RIGHT RETURN



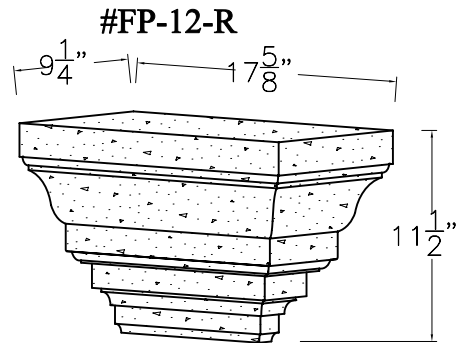
#FP-12



STRETCHER



#FP-12-L

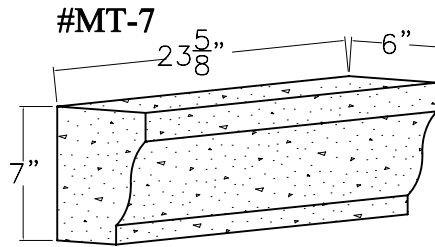
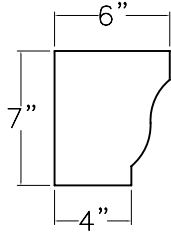


#FP-12-R

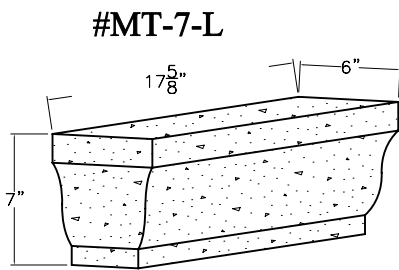
LEFT/RIGHT RETURN

CUSTOM LENGTHS / CORNERS
AVAILABLE UPON REQUEST

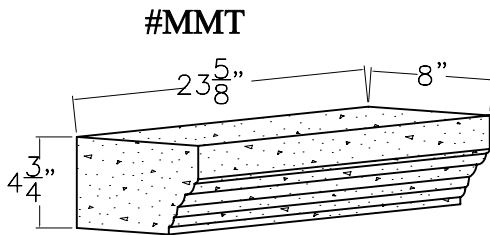
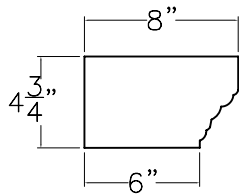
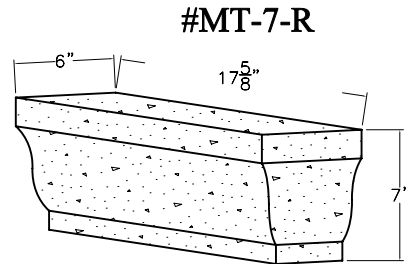
TRIM PROFILES



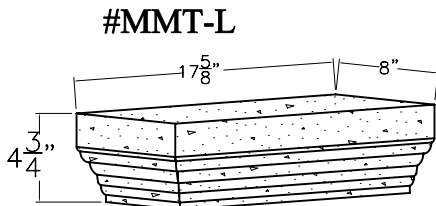
STRETCHER



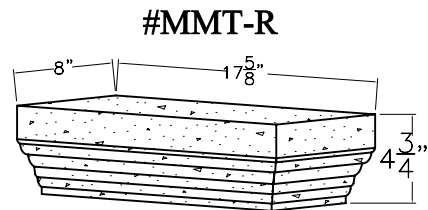
LEFT/RIGHT RETURN



STRETCHER

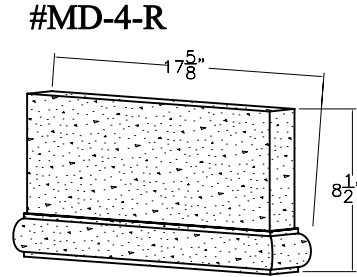
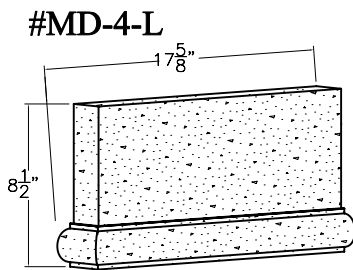
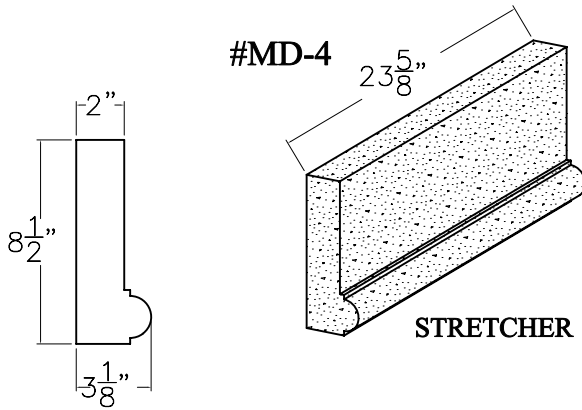


LEFT/RIGHT RETURN

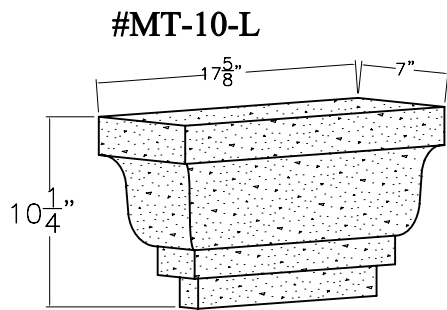
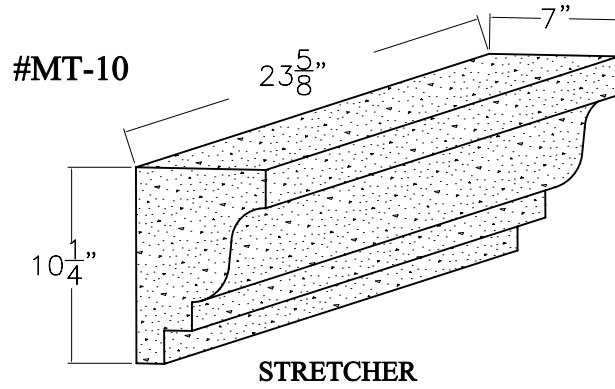
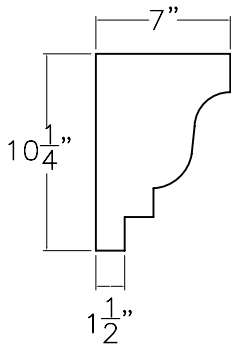


**CUSTOM LENGTHS / CORNERS
AVAILABLE UPON REQUEST**

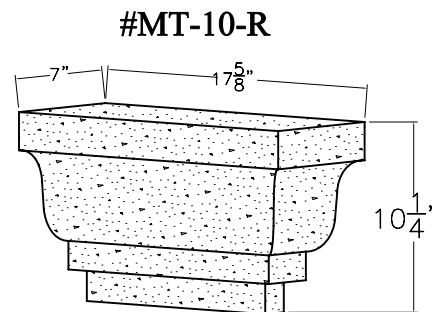
TRIM PROFILES



LEFT/RIGHT RETURN

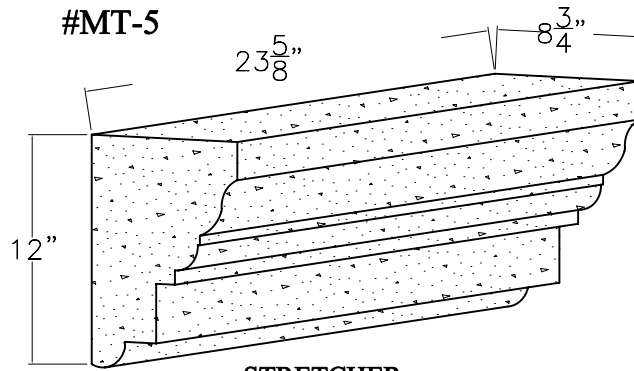
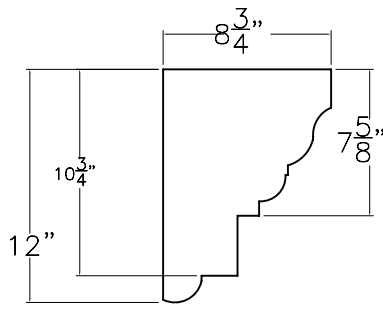


LEFT/RIGHT RETURN



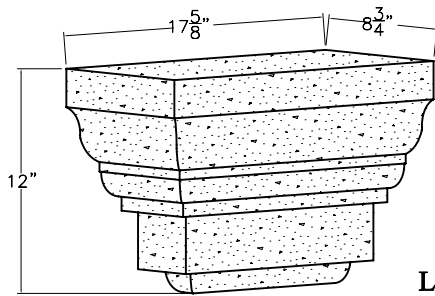
CUSTOM LENGTHS / CORNERS
AVAILABLE UPON REQUEST

TRIM PROFILES

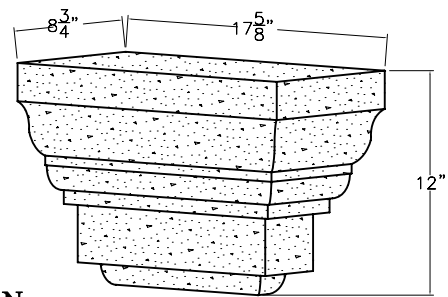


STRETCHER

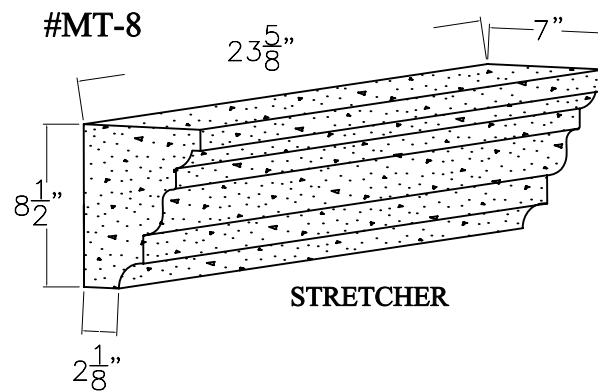
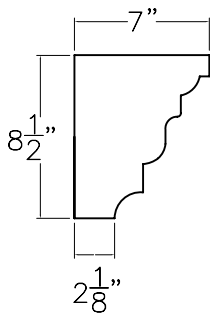
#MT-5-L



#MT-5-R

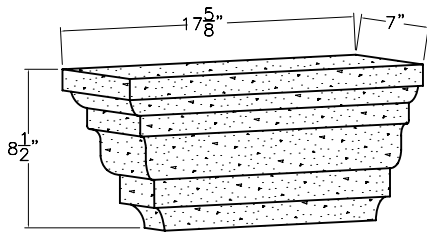


LEFT/RIGHT RETURN

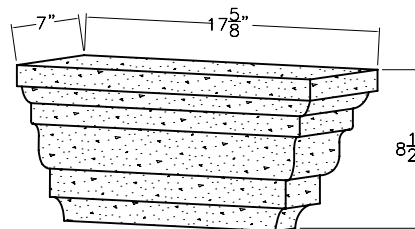


STRETCHER

#MT-8-L



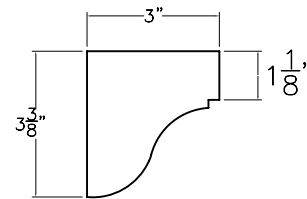
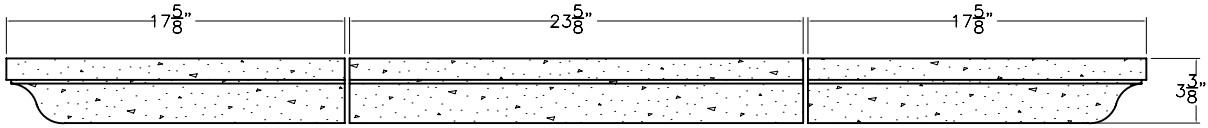
#MT-8-R



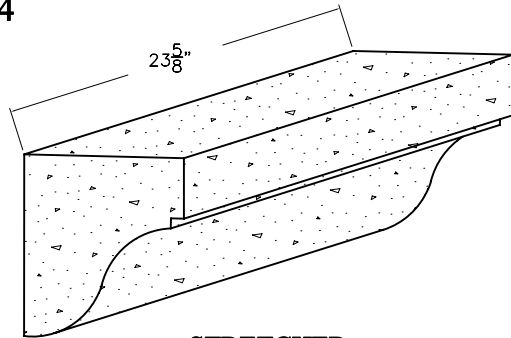
LEFT/RIGHT RETURN

CUSTOM LENGTHS / CORNERS
AVAILABLE UPON REQUEST

TRIM PROFILES

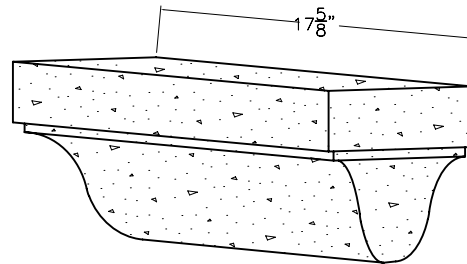


#RB-4



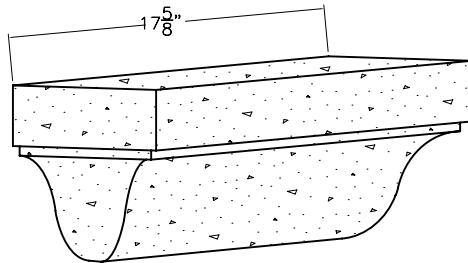
STRETCHER

#RB-4-R



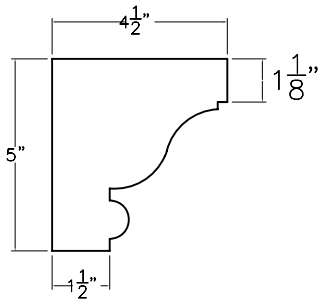
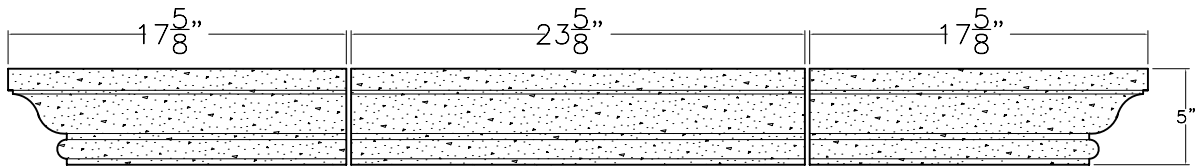
LEFT/RIGHT RETURN

#RB-4-L

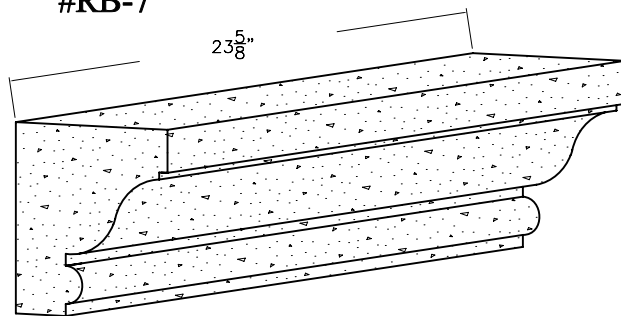


CUSTOM LENGTHS / CORNERS
AVAILABLE UPON REQUEST

TRIM PROFILES

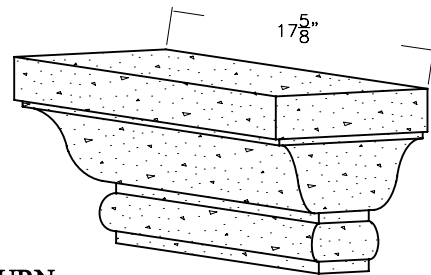


#RB-7

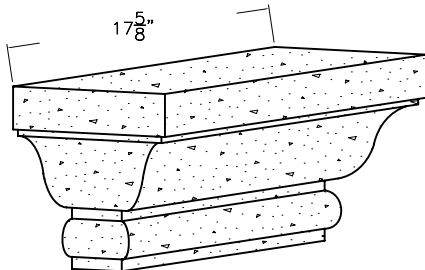


STRETCHER

#RB-7-R



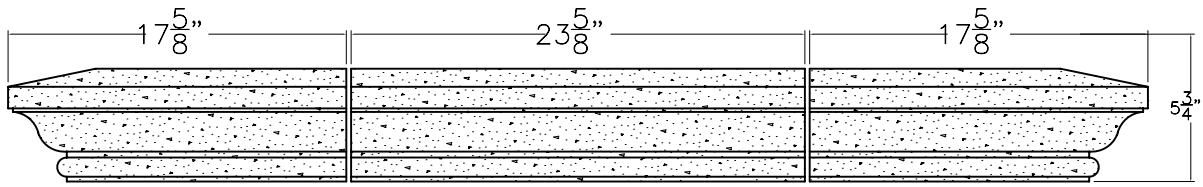
#RB-7-L



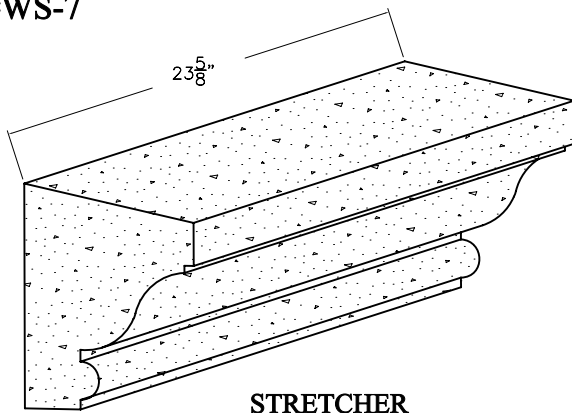
LEFT/RIGHT RETURN

CUSTOM LENGTHS / CORNERS
AVAILABLE UPON REQUEST

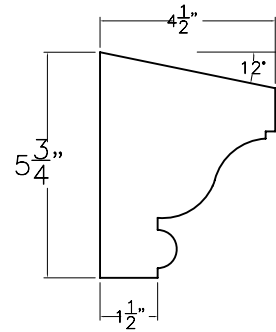
TRIM PROFILES



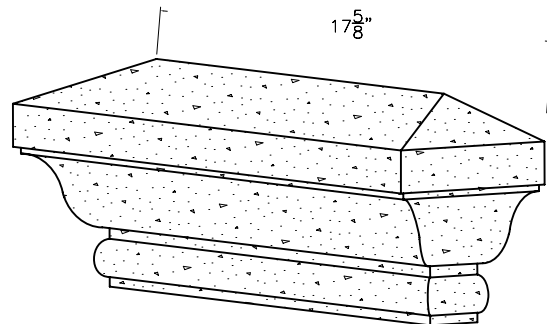
#WS-7



STRETCHER

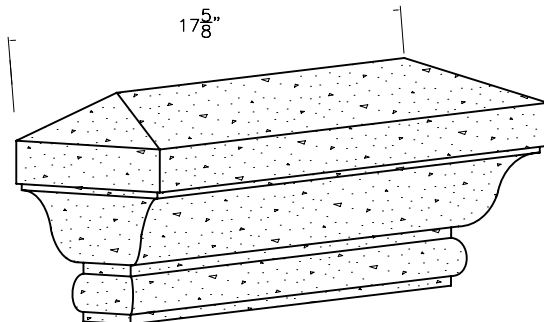


#WS-7-R



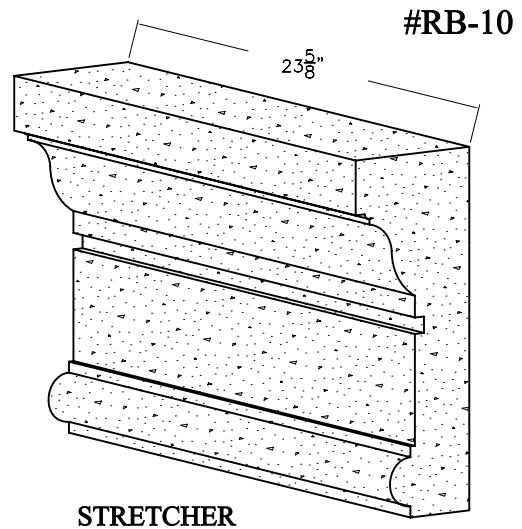
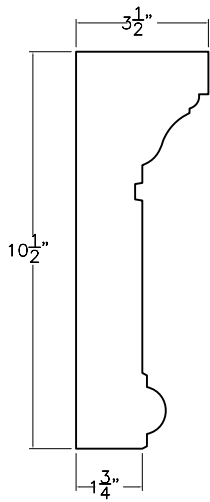
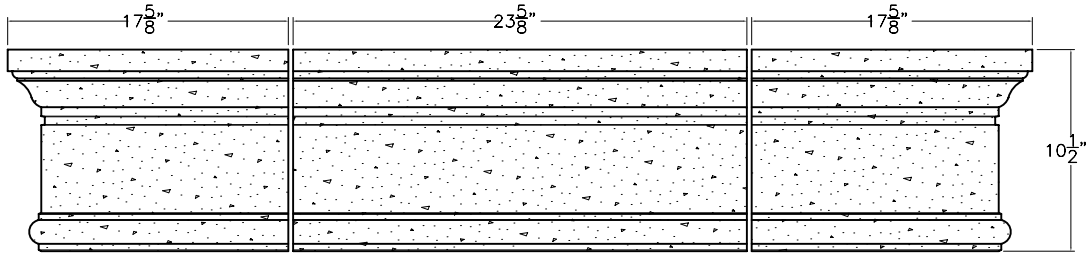
#WS-7-L

LEFT/RIGHT RETURN



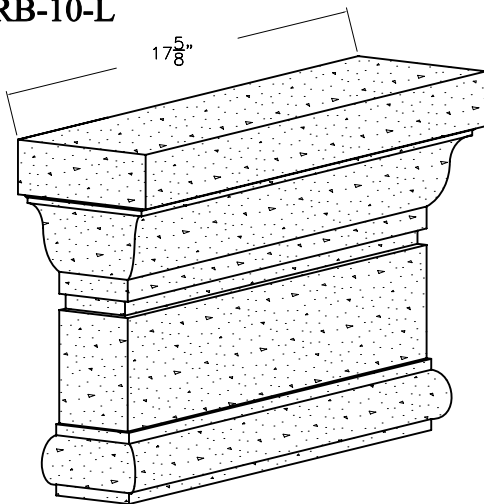
CUSTOM LENGTHS / CORNERS
AVAILABLE UPON REQUEST

TRIM PROFILES



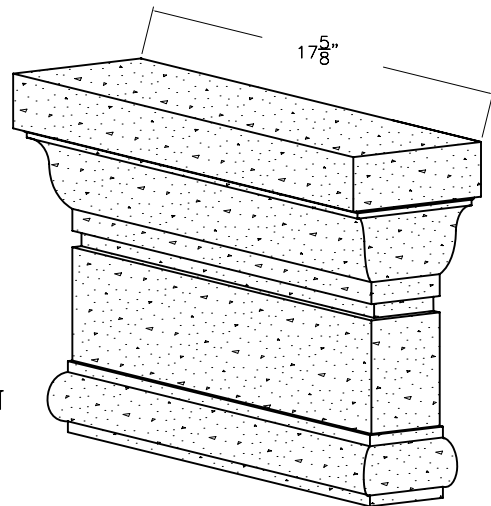
STRETCHER

#RB-10-L



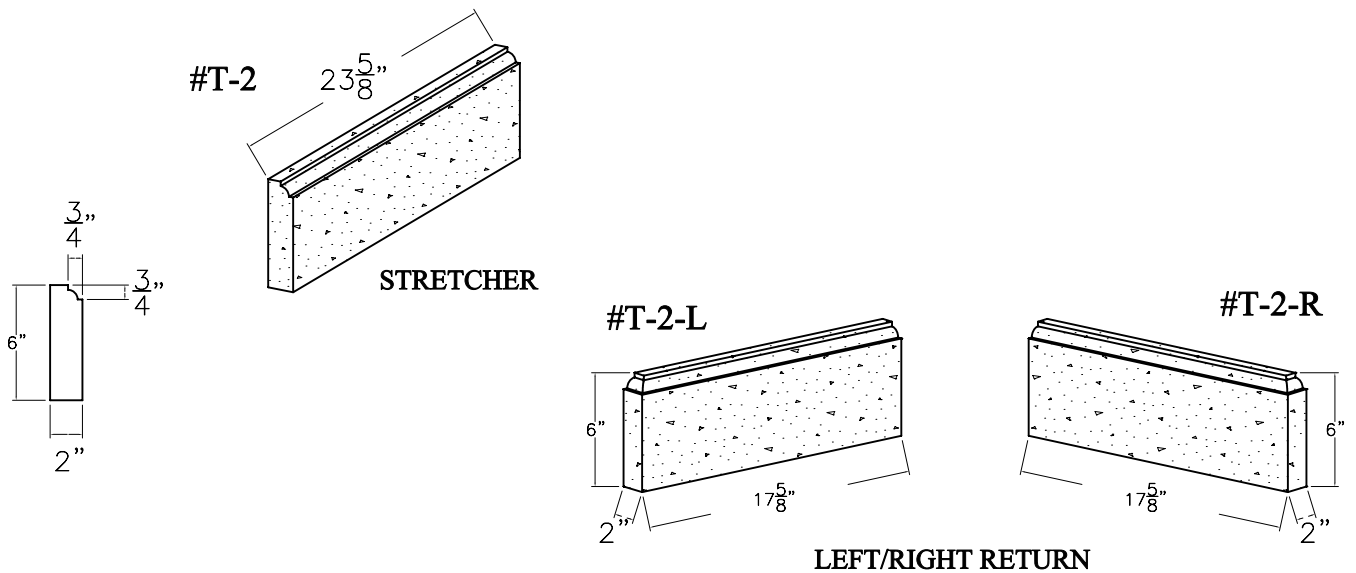
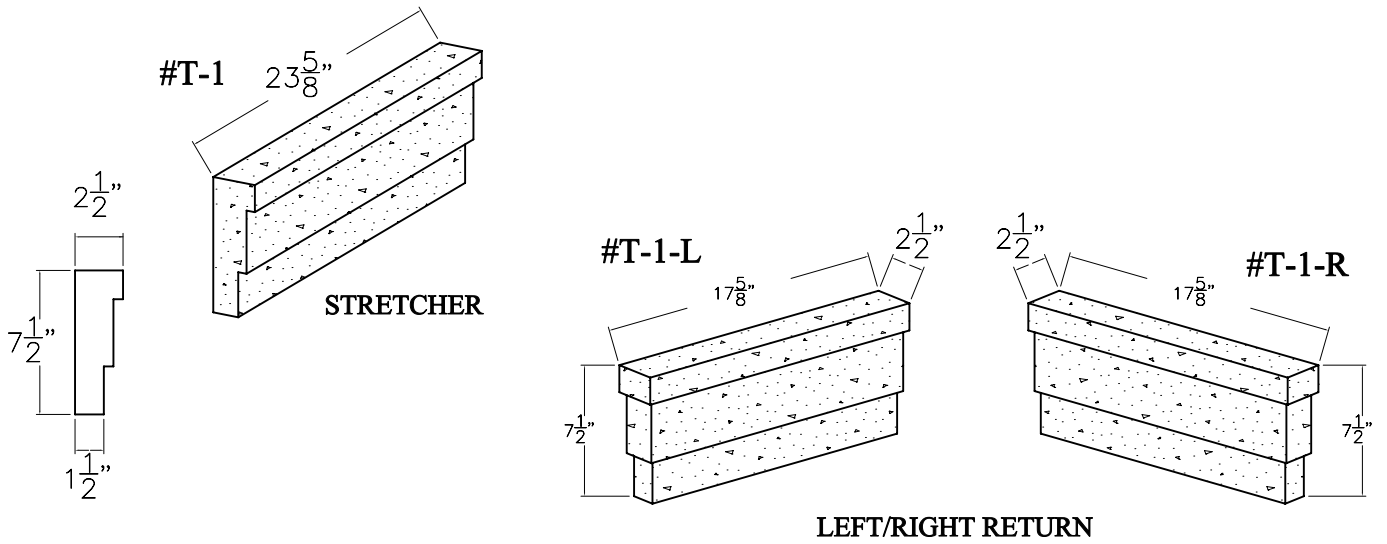
LEFT/RIGHT RETURN

#RB-10-R



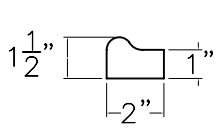
**CUSTOM LENGTHS / CORNERS
AVAILABLE UPON REQUEST**

TRIM PROFILES

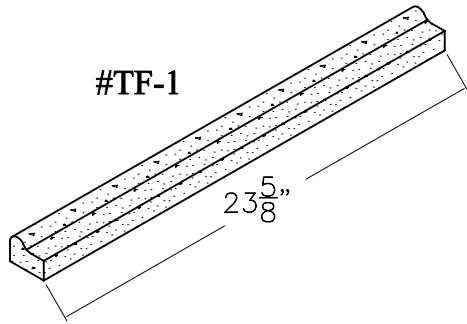


CUSTOM LENGTHS / CORNERS
AVAILABLE UPON REQUEST

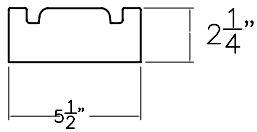
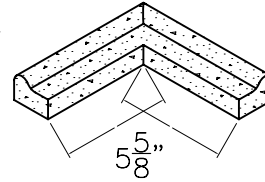
TRIM PROFILES



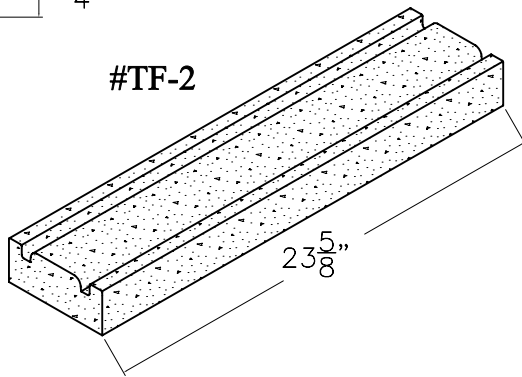
#TF-1



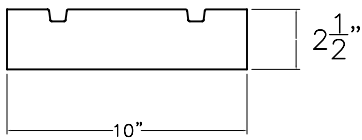
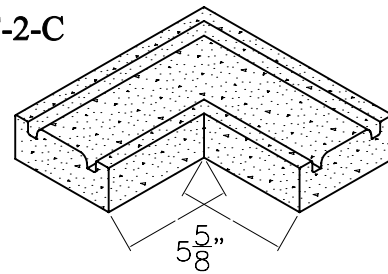
#TF-1-C



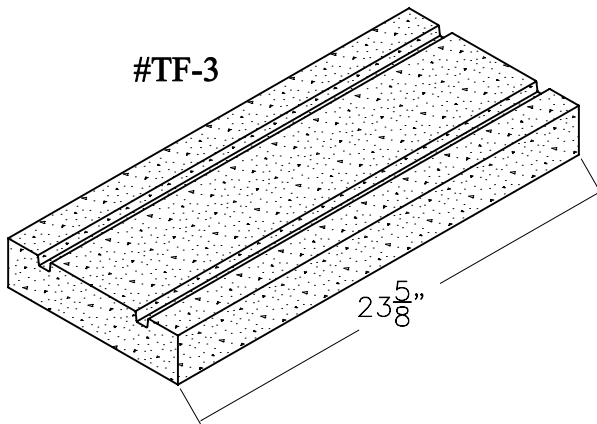
#TF-2



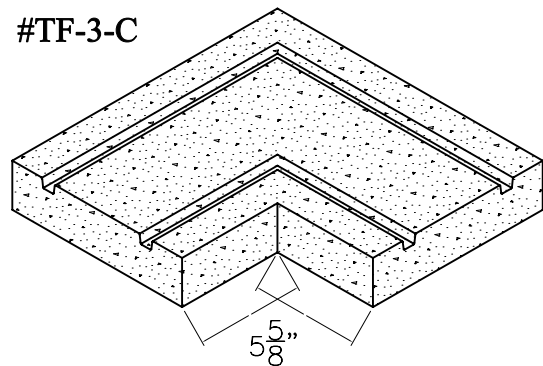
#TF-2-C



#TF-3



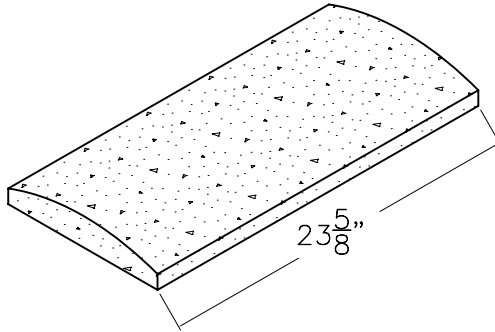
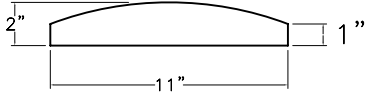
#TF-3-C



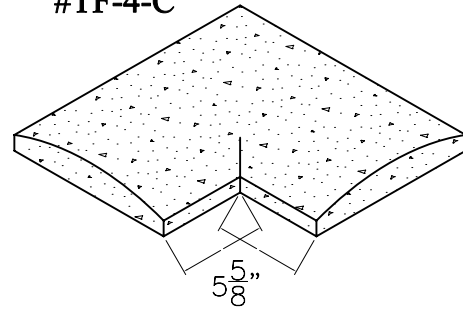
CUSTOM LENGTHS / RETURNS
AVAILABLE UPON REQUEST

TRIM PROFILES

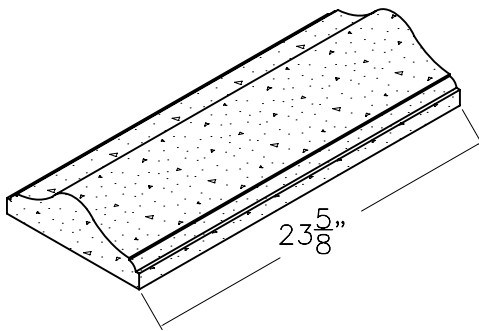
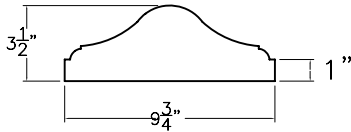
#TF-4



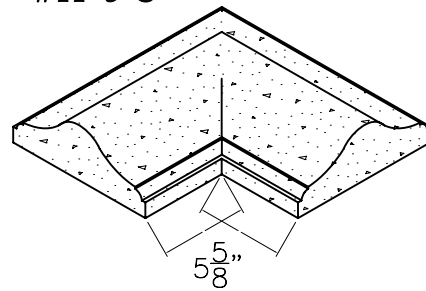
#TF-4-C



#TF-5



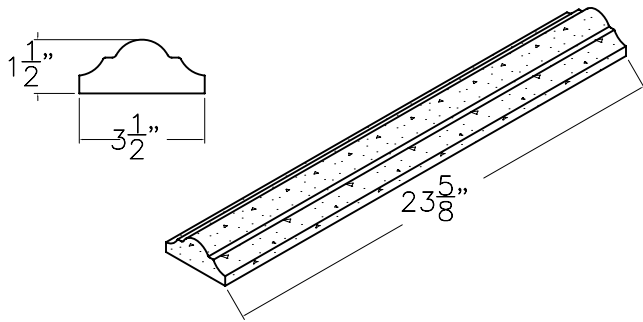
#TF-5-C



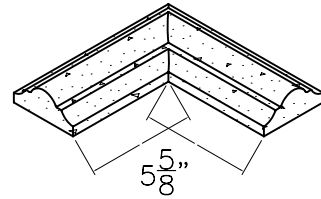
CUSTOM LENGTHS / RETURNS
AVAILABLE UPON REQUEST

TRIM PROFILES

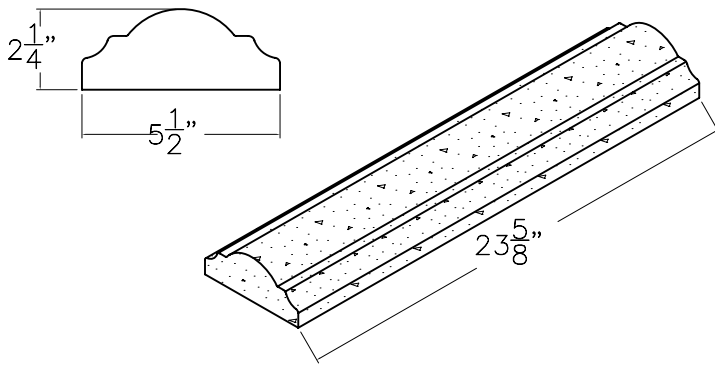
#TF-6



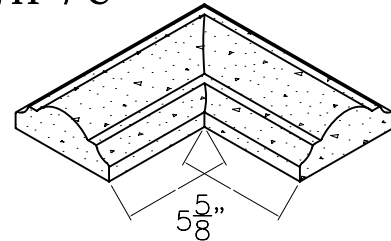
#TF-6-C



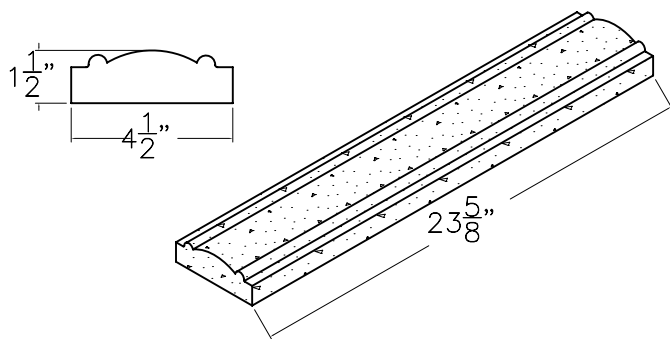
#TF-7



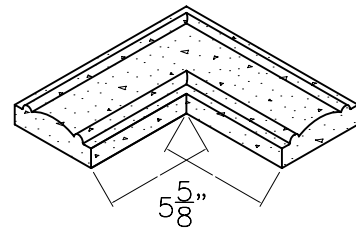
#TF-7-C



#TF-8



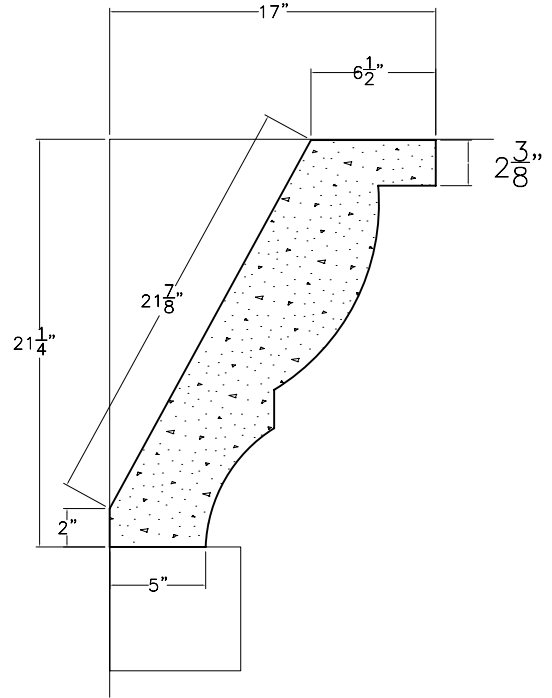
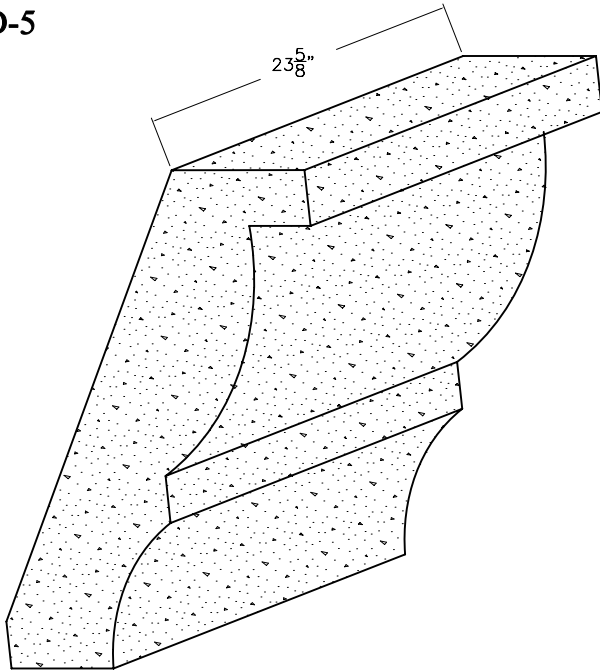
#TF-8-C



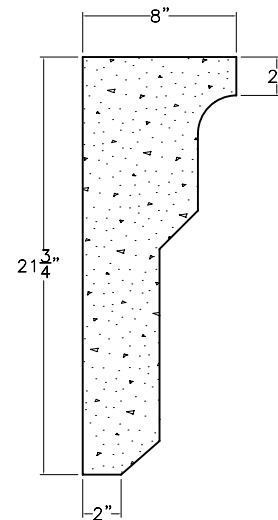
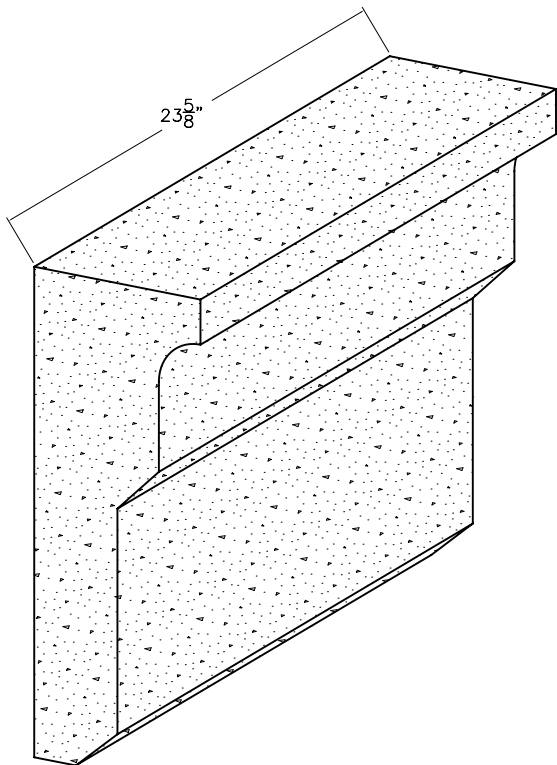
CUSTOM LENGTHS / RETURNS
AVAILABLE UPON REQUEST

TRIM PROFILES

#MD-5



#MD-6



CUSTOM LENGTHS / CORNERS & RETURNS
AVAILABLE UPON REQUEST
AVAILABLE IN LIGHTWEIGHT ONLY