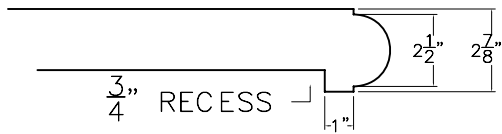


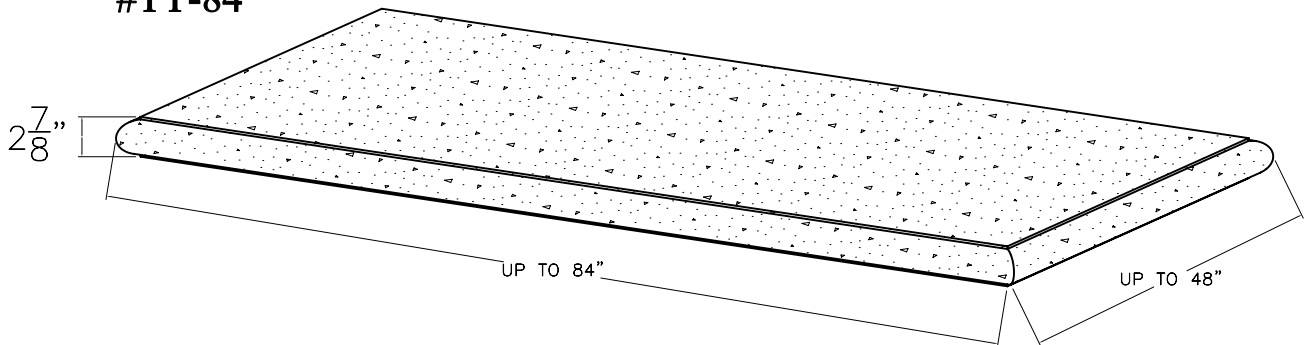
TABLE TOPS



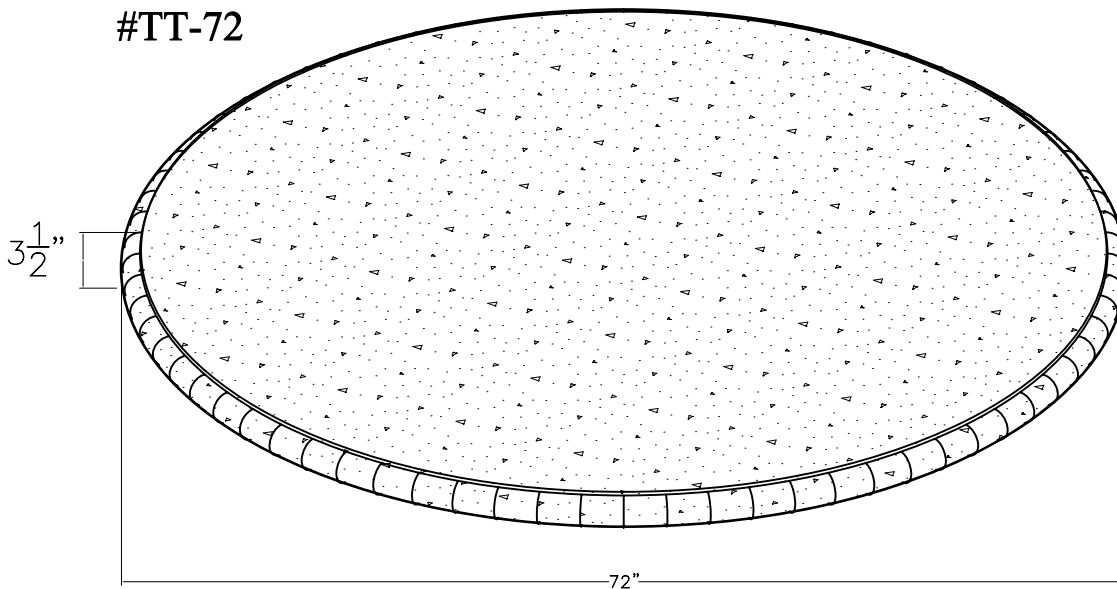
DETAIL



#TT-84



#TT-72

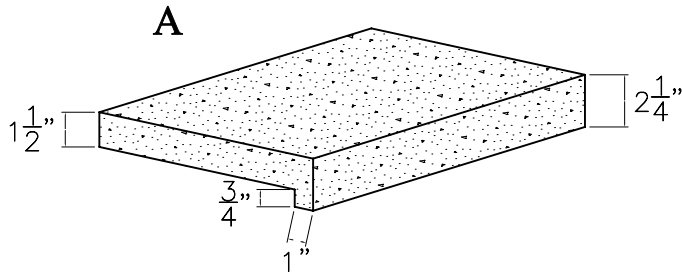


ROUND EDGE TOP
36" UP TO 72"
DIAMETER

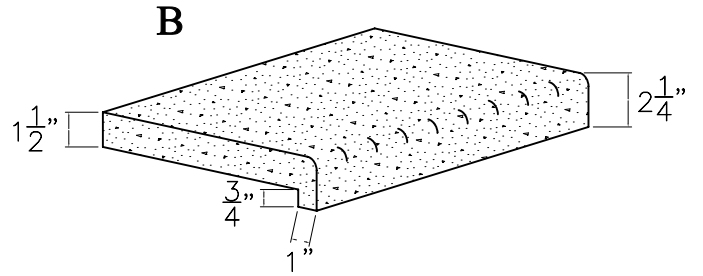
**CUT-OUTS AVAILABLE WITH TEMPLATE PROVIDED BY OTHERS
AVAILABLE FINISHES: ANCIENT STONE,™ & POLISHED**

TABLE TOP EDGE DETAILS

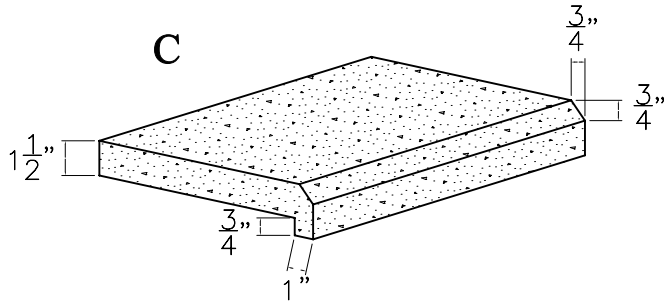
SQUARE EDGE



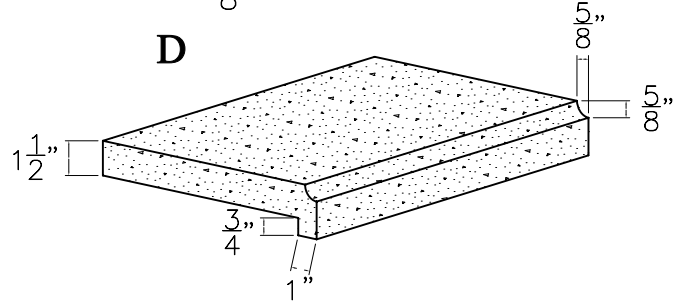
EASED EDGE



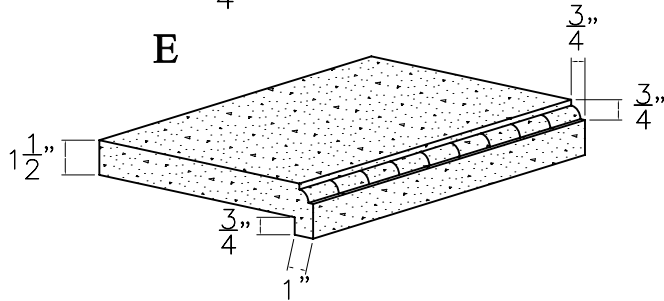
FLAT BEVEL



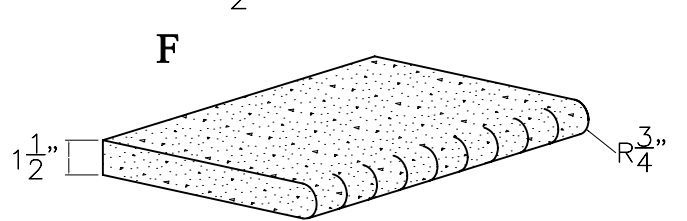
$\frac{5}{8}$ " CUPPED EDGE



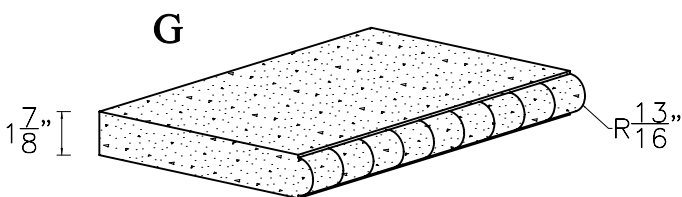
$\frac{3}{4}$ " O.G. EDGE



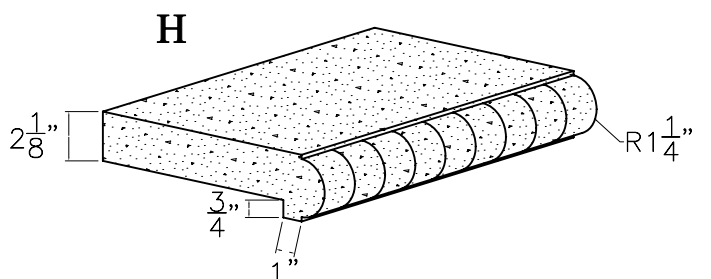
$1\frac{1}{2}$ " BULLNOSE EDGE



$1\frac{7}{8}$ " BULLNOSE EDGE



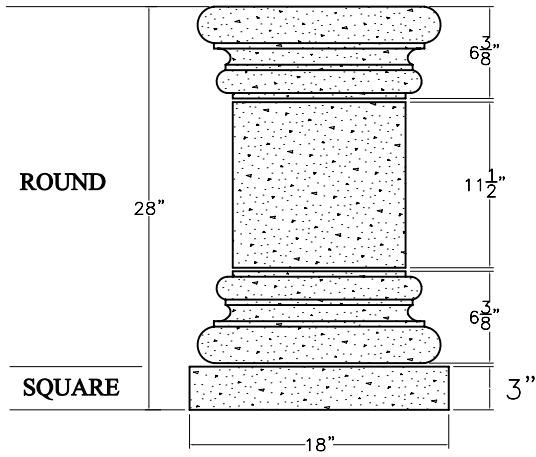
$2\frac{7}{8}$ " BULLNOSE EDGE



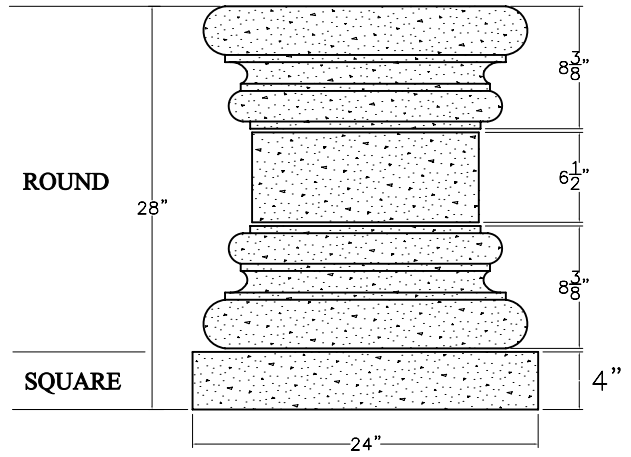
A-H: TYPICAL EDGE DETAILS,
ALTERNATE THICKNESS AVAILABLE UPON REQUEST

TABLE BASES

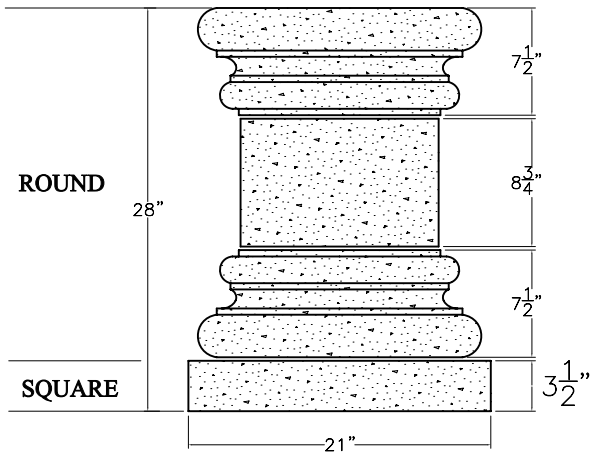
#TB-1



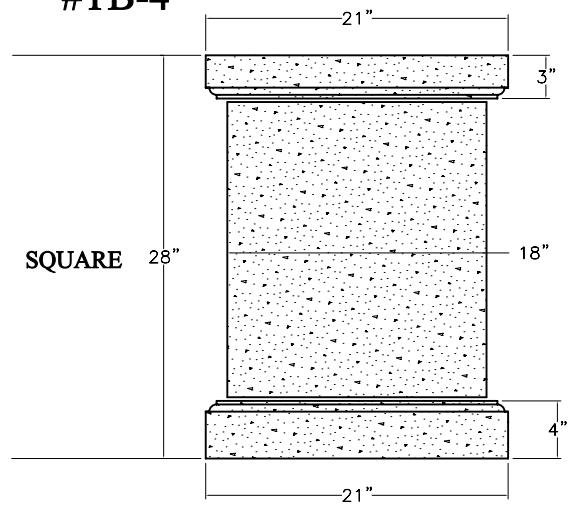
#TB-3



#TB-2



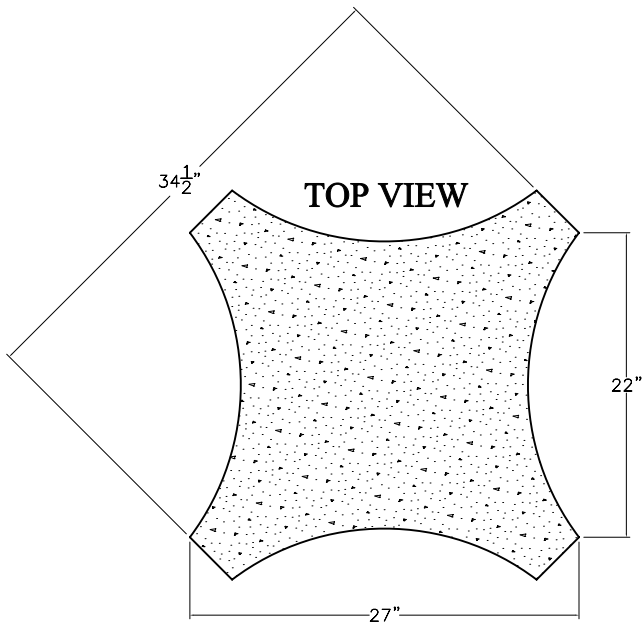
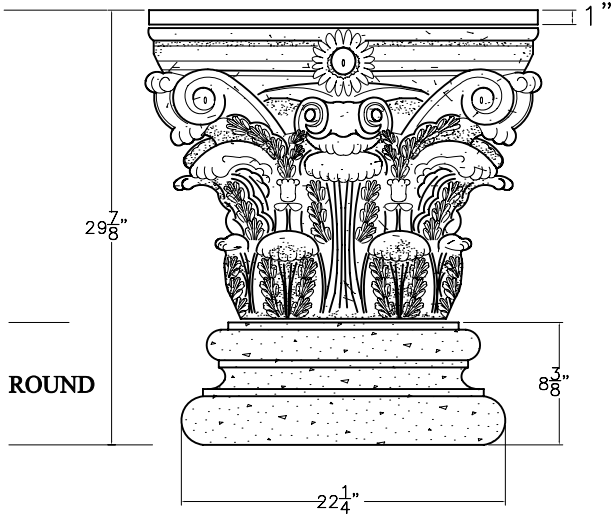
#TB-4



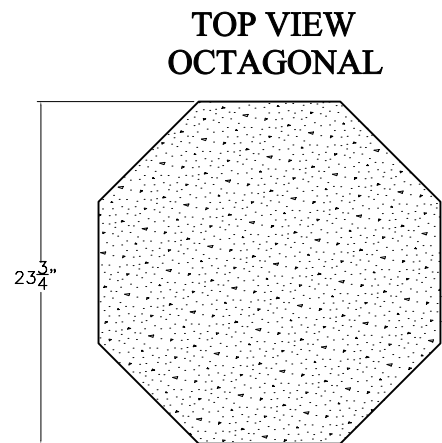
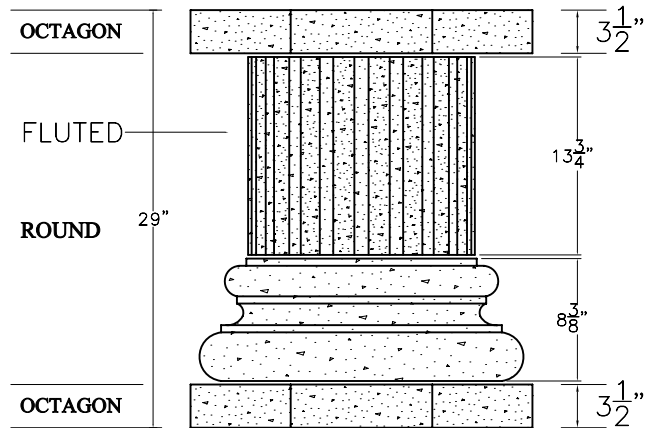
FIELD ASSEMBLY REQUIRED

TABLE BASES

#LTB-2



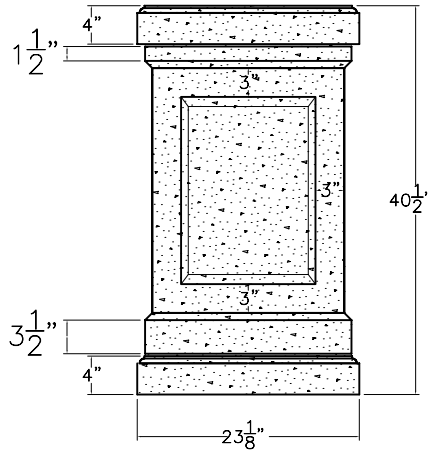
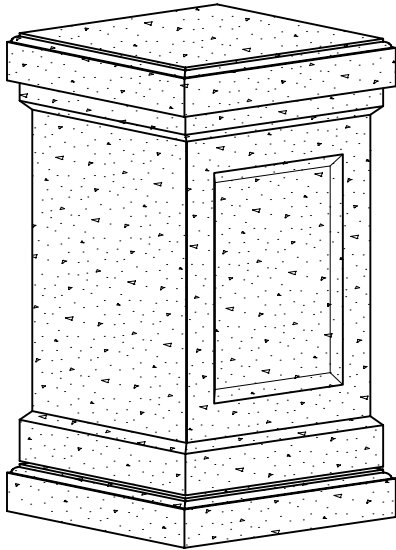
#FTB-5



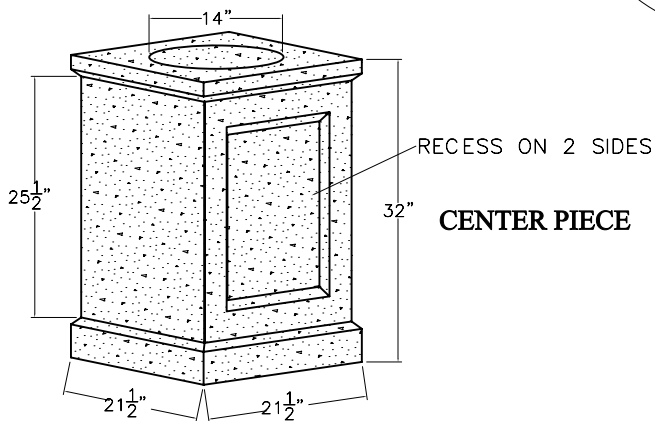
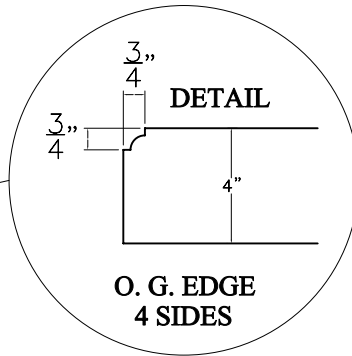
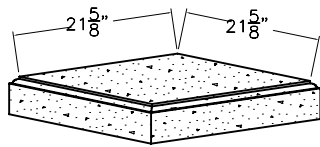
FIELD ASSEMBLY REQUIRED

PEDESTALS

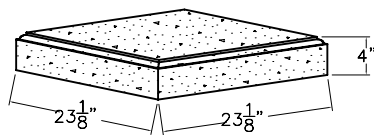
#P-32



CAP/BASE



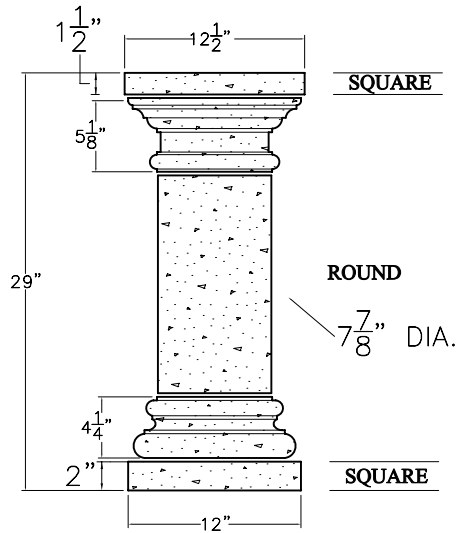
CAP/BASE



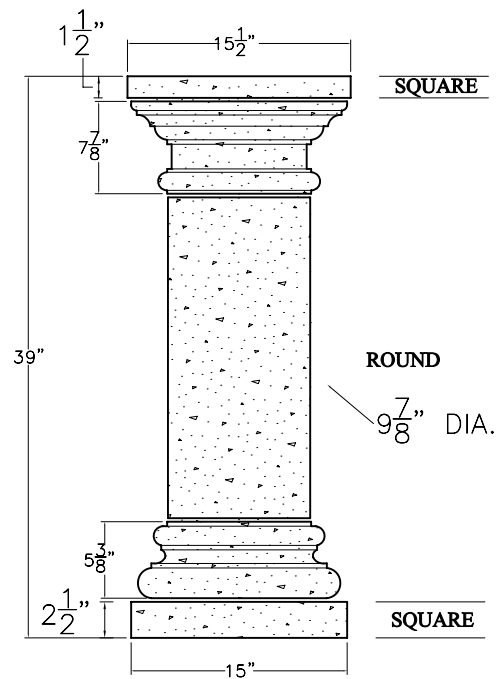
FIELD ASSEMBLY REQUIRED

PEDESTALS

#P-8

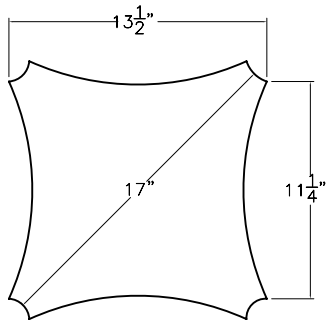


#P-10



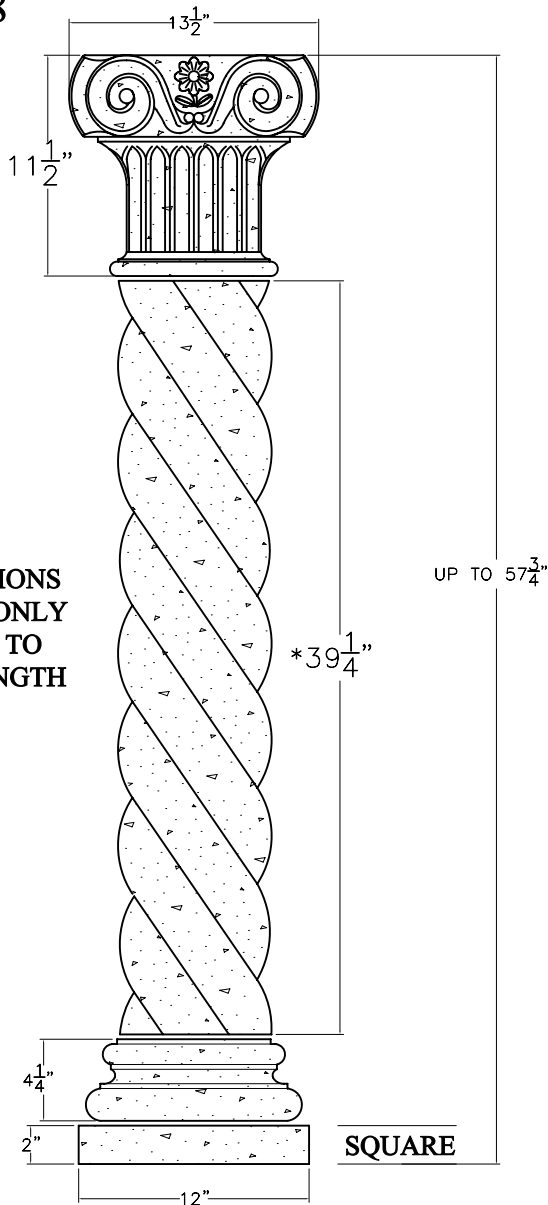
FIELD ASSEMBLY REQUIRED

PEDESTALS



TOP VIEW

#RP-8



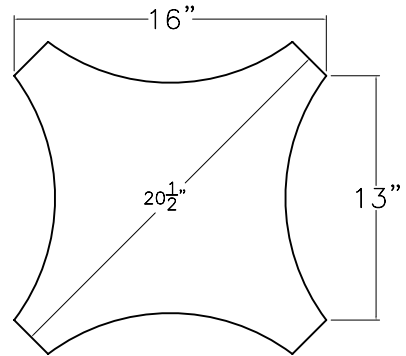
*ROPE SECTIONS
IN HALVES ONLY
FIELD CUT TO
DESIRED LENGTH

UP TO 57 ³/₄"

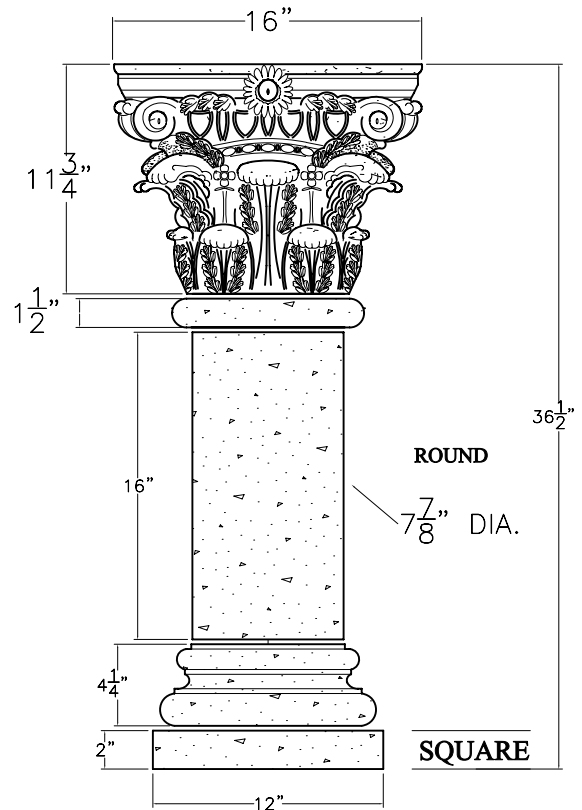
*39 ¹/₄"

SQUARE

#CP-8



TOP VIEW



ROUND

7 ⁷/₈" DIA.

SQUARE

FIELD ASSEMBLY REQUIRED