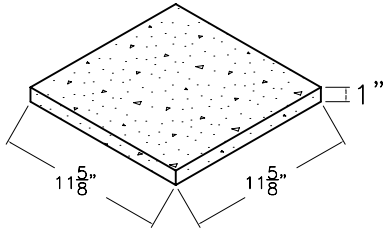
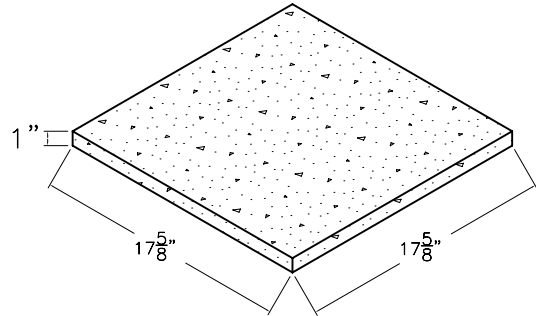


FLOOR TILE

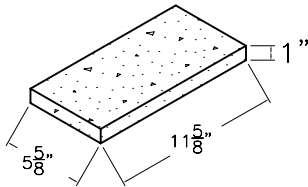
#FT-1212



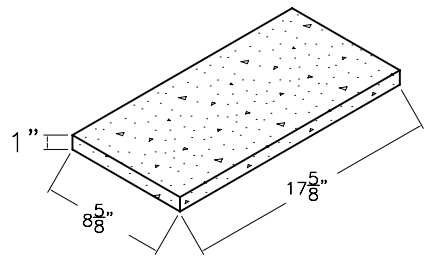
#FT-1818



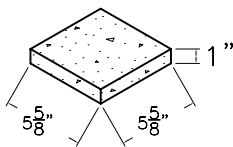
#FT-612



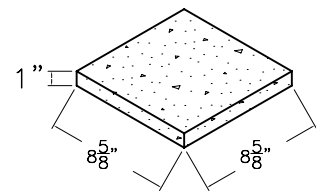
#FT-918



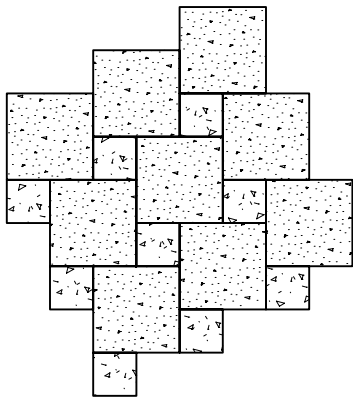
#FT-66



#FT-99

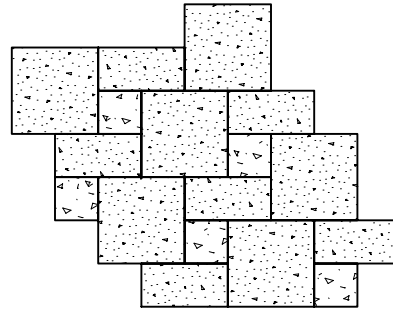


FLOOR TILE PATTERNS



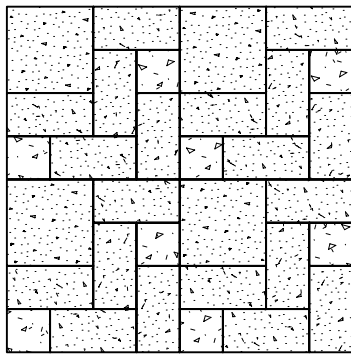
FT-1
 1@ 12"x12"
 1@ 6"x6"

FT-2
 1@ 18"x18"
 1@ 9"x9"



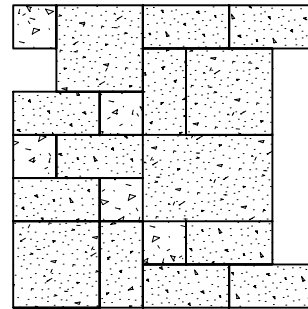
FT-7
 1@ 12"x12"
 1@ 6"x12"
 1@ 6"x6"

FT-8
 1@ 18"x18"
 1@ 9"x18"
 1@ 9"x9"

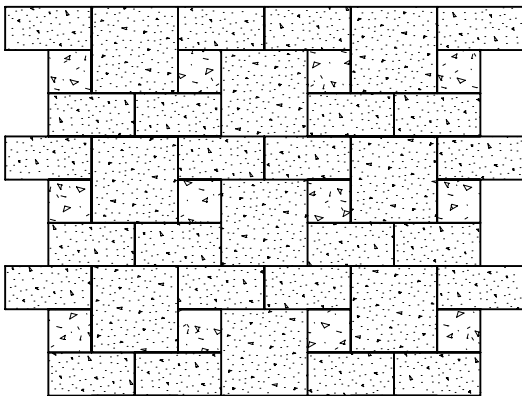


FT-3
 1@ 12"x12"
 5@ 6"x12"
 2@ 9"x9"

FT-4
 1@ 18"x18"
 5@ 9"x18"
 2@ 6"x6"

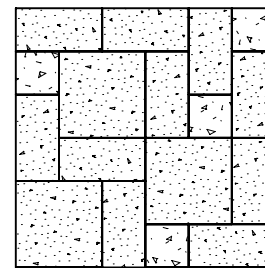


FT-9
 1@ 12"x18"
 3@ 12"x12"
 10@ 6"x12"
 5@ 6"x6"



FT-5
 1@ 18"x18"
 2@ 9"x18"
 1@ 9"x9"

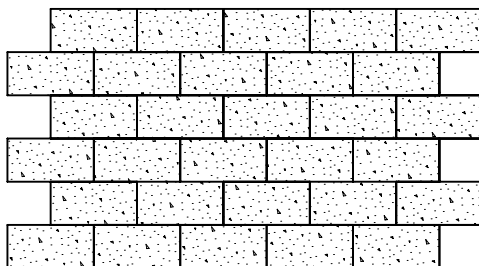
FT-6
 1@ 12"x12"
 2@ 6"x12"
 1@ 6"x6"



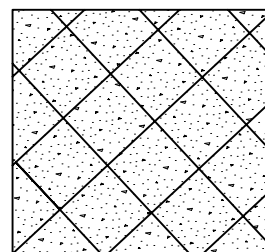
FT-10
 3@ 12"x12"
 10@ 6"x12"
 4@ 6"x6"

FT-11
 3@ 18"x18"
 10@ 9"x18"
 4@ 9"x9"

RUNNING BOND

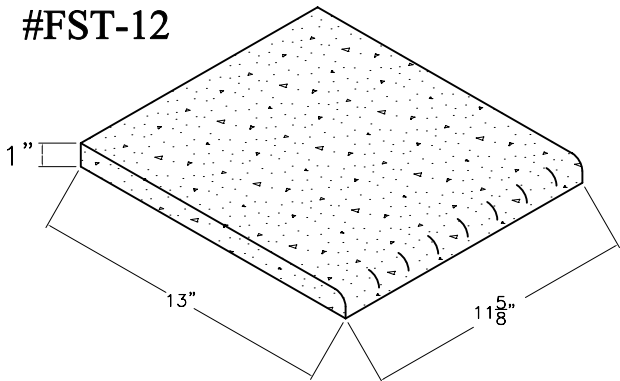


DIAGONAL

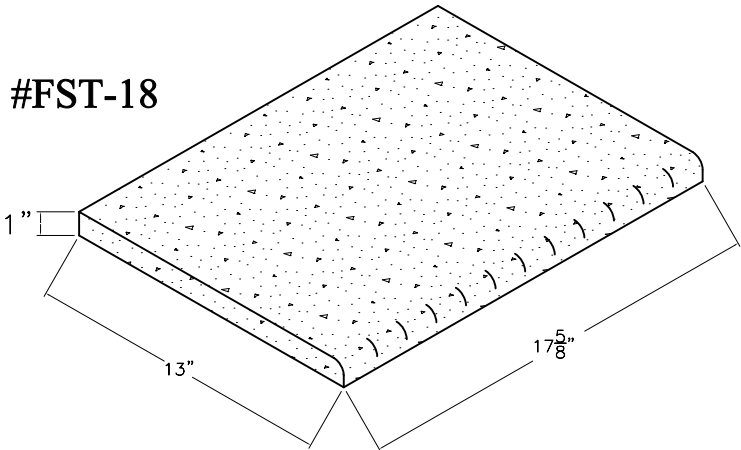


FLOOR STAIR TREADS

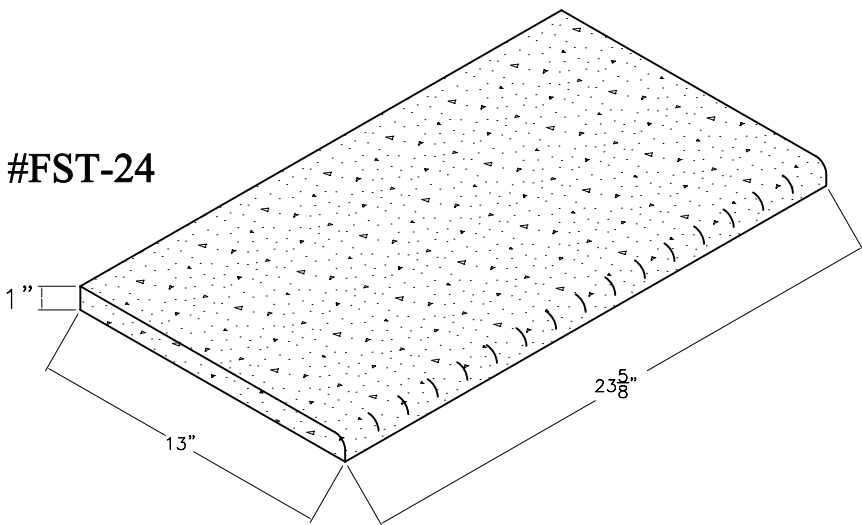
#FST-12



#FST-18

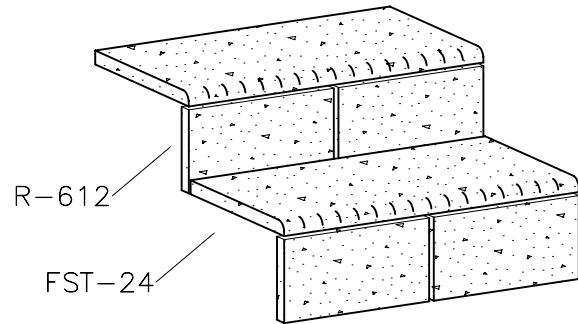
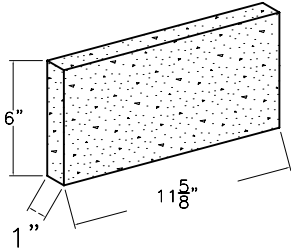


#FST-24

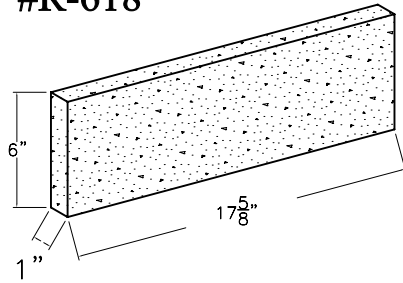


FLOOR STEP RISERS

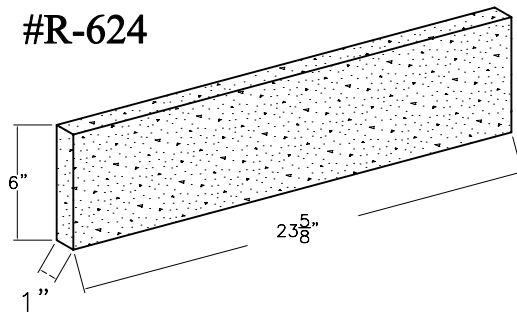
#R-612



#R-618

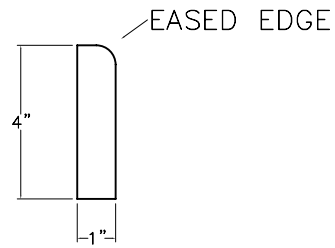
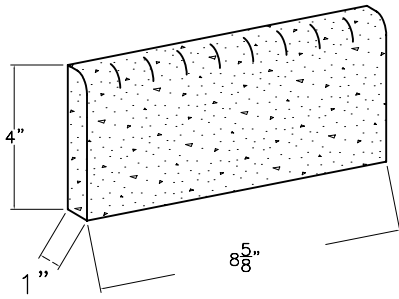


#R-624

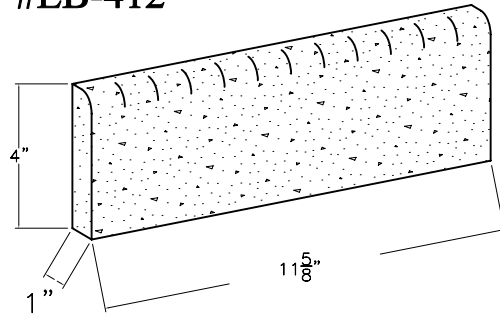


FLOOR BASE TRIM

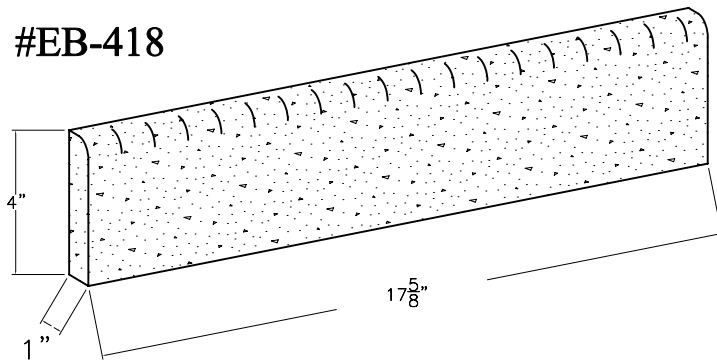
#EB-49



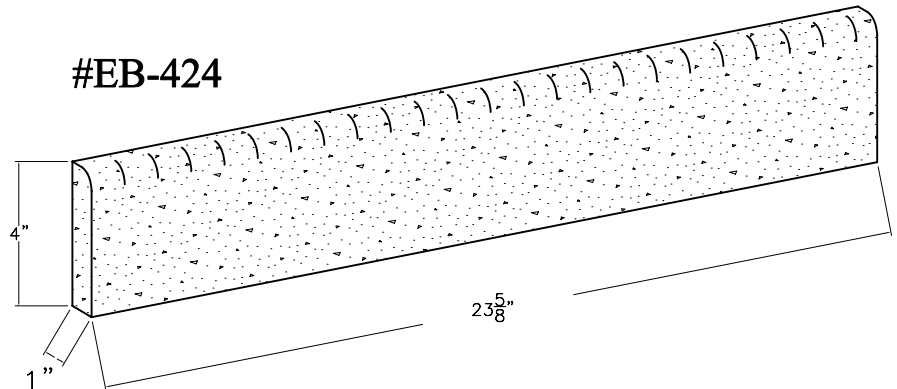
#EB-412



#EB-418

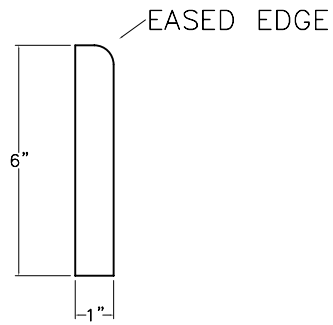
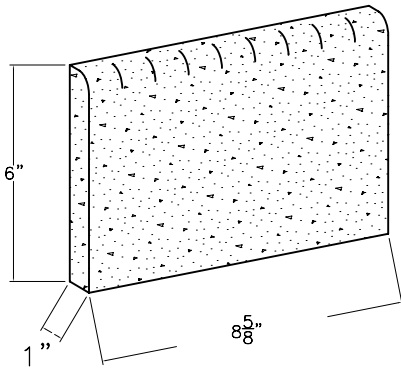


#EB-424

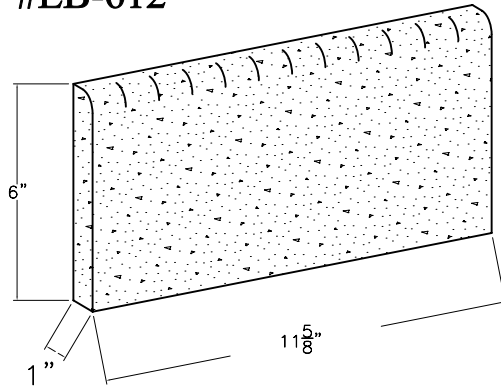


FLOOR BASE TRIM

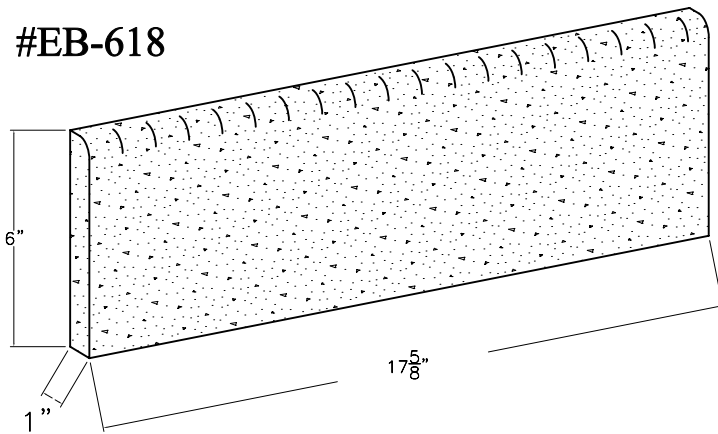
#EB-69



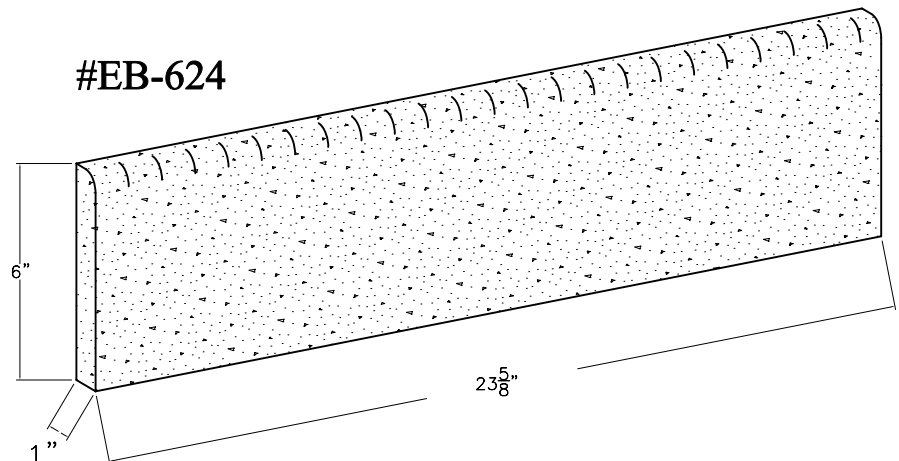
#EB-612



#EB-618

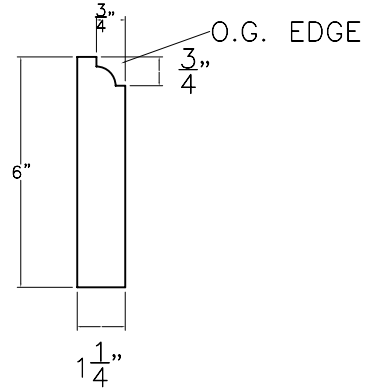
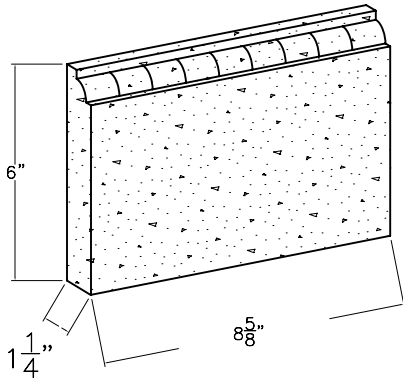


#EB-624

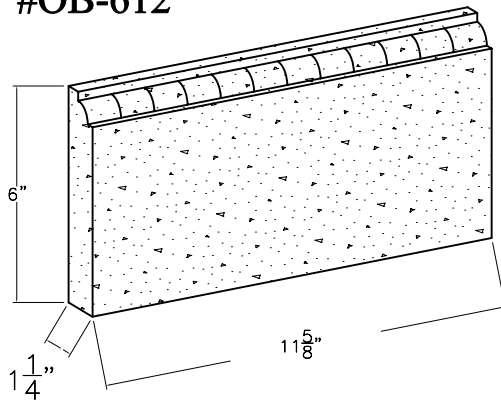


FLOOR BASE TRIM

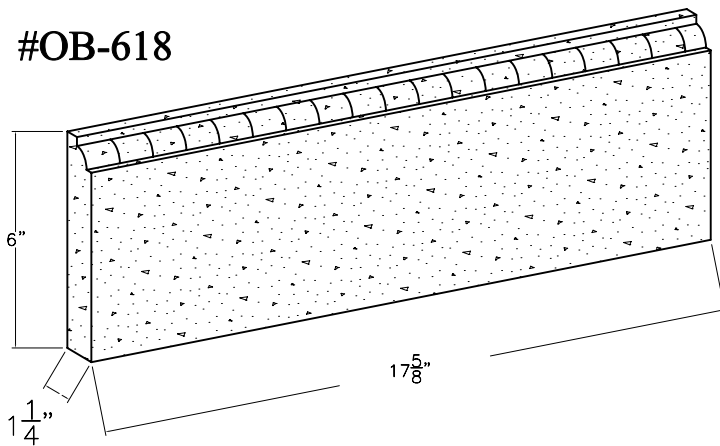
#OB-69



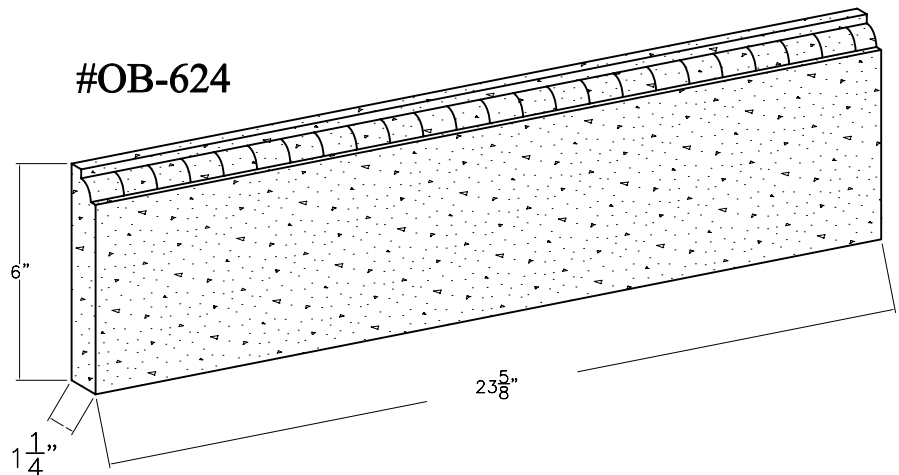
#OB-612



#OB-618

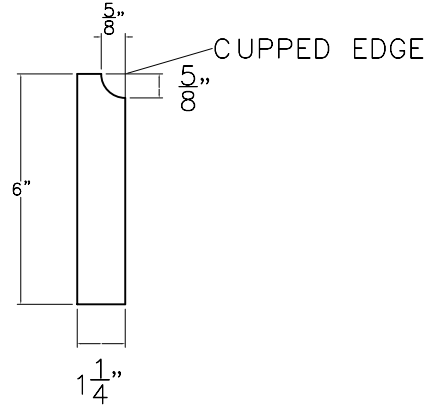
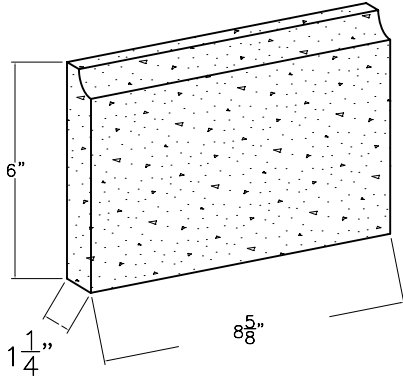


#OB-624

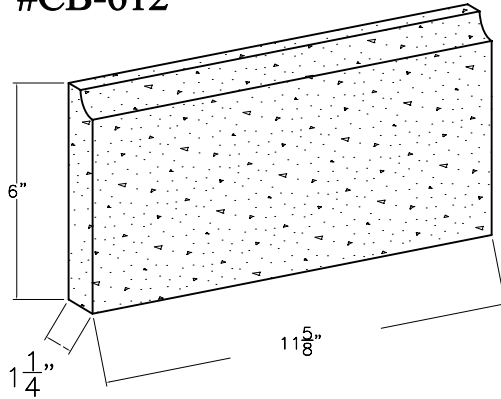


FLOOR BASE TRIM

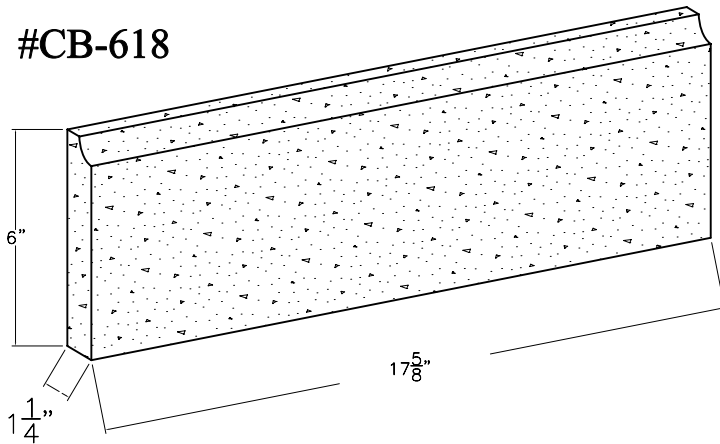
#CB-69



#CB-612



#CB-618



#CB-624

